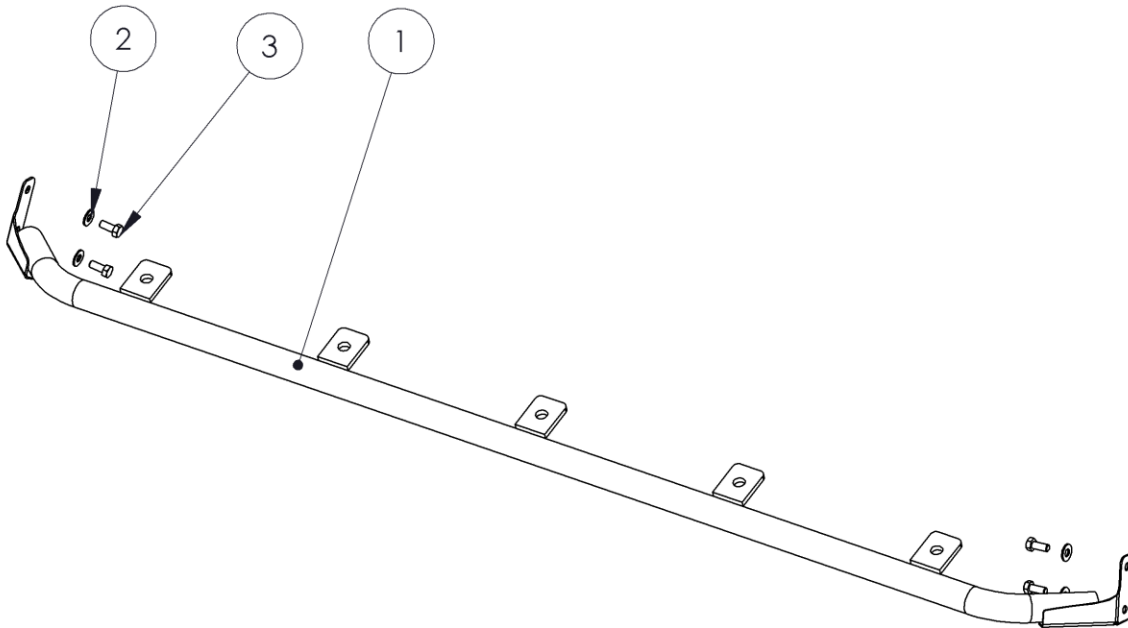


130939

07-17 JEEP JK WINDSHIELD LIGHT BAR KIT

**OFF CAMBER
FABRICATIONS**

by: **MBRP** INC.



1. LIGHT BAR
2. 5/16" BOLT [4PCS]
3. 5/16 WASHER [4PCS]

PLEASE READ BEFORE STARTING INSTALLATION

While MBRP Inc. has made every effort to ensure that all components of this kit are of superior quality and properly packaged, it is the installer's responsibility to ensure the following before starting:

- that ALL components shown above are present.
- that ALL mating components fit together.
- that there are no damaged components.
- that the kit you have purchased is appropriate for your year and model of vehicle.
- that the kit will not interfere with any modifications previously installed or planned.
- that you have read and understand these instructions.

If you have any questions or are uncertain about any aspect of the installation of this kit on your vehicle please contact your dealer before commencing installation.

Jeep JK Light Bar Kit

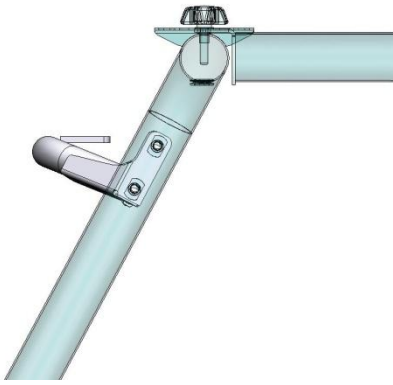


Figure 1

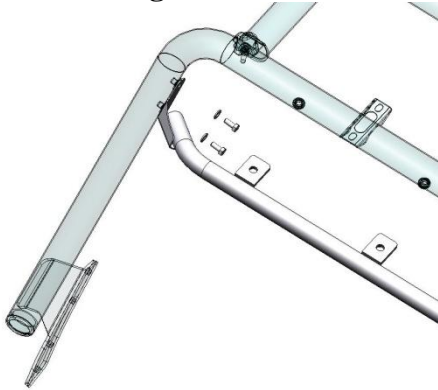


Figure 2

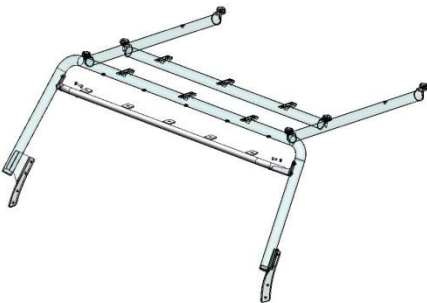


Figure 3

NOTE:

This kit requires the installation of **Off Camber Fabrications** Full Rack Extension Kit #130934 or # 131040.

1. With the help of a friend, hold the **Light Bar** in position on the front windshield hoop. Secure the **Light Bar** with the supplied 5/16" Bolts, and 5/16" Washers.

Refer to Figures 1 through 3.



Congratulations! You are finished. We are sure that you will enjoy this

Off Camber Fabrications product by **MBRP Inc.**