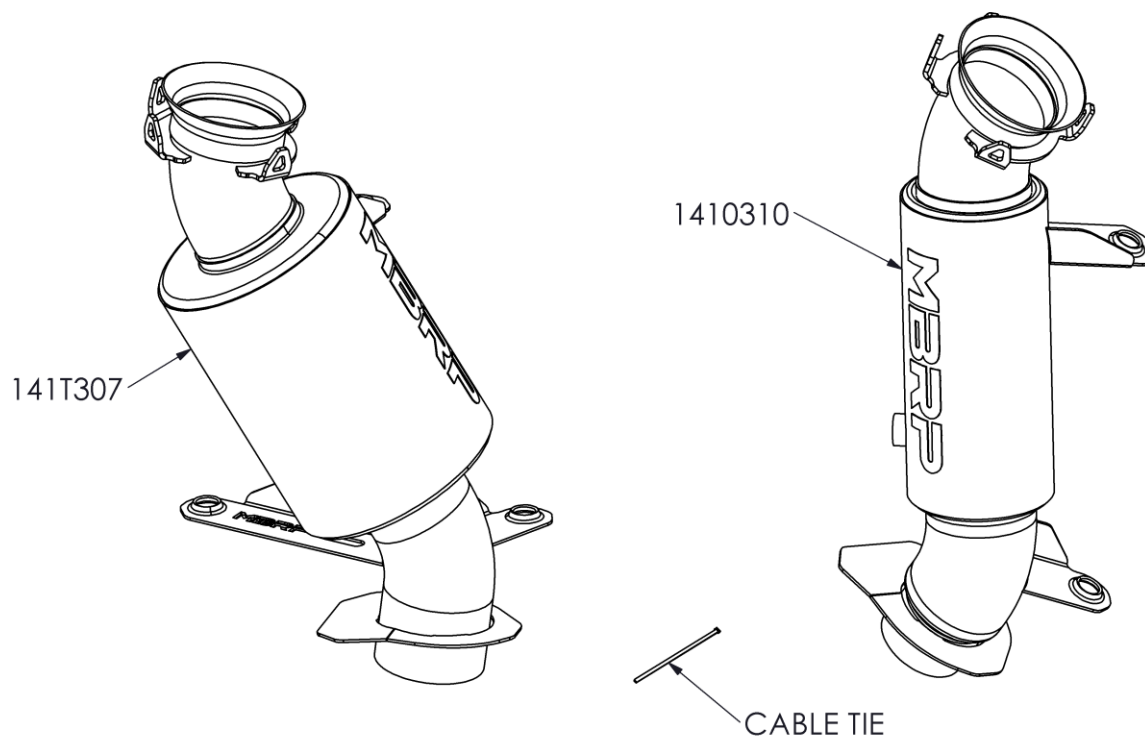


# 1410310 / 141T307

MUFFLER ASSEMBLY  
2023-UP SKI-DOO GEN5 850 E-TEC TURBO

# MBRP



## PLEASE READ BEFORE STARTING INSTALLATION

While MBRP Ltd. has made every effort to ensure that all components of this system are of superior quality and properly packaged, it is the installer's responsibility to ensure the following before removal of the factory exhaust:

- that ALL components shown above are present.
- that ALL mating components fit together.
- that there are no damaged components.
- that the system you have purchased is appropriate for your vehicle year, model and configuration.
- that the system will not interfere with any modifications previously installed or planned.
- that you have read and understand these instructions.

If you have any questions or are uncertain about any aspect of the installation of this system to your vehicle please contact your dealer before commencing installation.

# MBRP

## Removal of Stock Muffler:

**Note:** Local regulations may limit or prohibit modification to your snowmobile's emissions system and/or the sound levels that it generates. It is your responsibility to be aware of restrictions that may apply to your intended use of this product.

**CAUTION:** **DO NOT** touch muffler while snowmobile is running or shortly after it has run, as it may result in personal injury.

\* **Retain all factory parts and hardware for final installation.**



**Figure 1**



**Figure 2**

1. Remove the side panel, then remove the heat shield panels to access the stock muffler. **Refer to Figure 1.**
2. Remove the four (4) springs attaching the muffler inlet to the turbo pipe.
3. Remove the heat shield from the turbo pipe (first remove the retaining springs and bands).
4. Remove the six (6) bolts from the turbo pipe flange, then remove the pipe. Retain the stock gaskets for reuse.
5. Remove the muffler retaining bolt and spring from the upper bracket.
6. Disconnect the exhaust sensor lead at the wire connection. **Refer to Figure 2.**
7. Remove the stock muffler from the belly pan. Remove the exhaust sensor and the 3 rubber bushings from the muffler - they will be reused.

## Installation of MBRP Muffler:



**Figure 3**

1. In order for the exhaust sensor to reach its location on the new muffler, the connection lead from the wiring harness needs to be unclipped and repositioned behind the chain case:
  - i) Unclip the connector from the chaincase.
  - ii) Remove the pullcord handle housing (1 screw in the base) to increase access behind the chaincase. **Refer to Figure 3.**
  - iii) Connect the exhaust sensor to the connection lead, then feed the sensor behind the chaincase from back to front, routing the wire under the drive axle and tight to the chaincase. **Refer to Figures 4 & 5.**
  - iv) Disconnect the speedometer wire connection attached to the front side of the chaincase and route the sensor wire behind the connector, then reconnect. **Refer to Figure 6.**
  - v) Remove any excess slack from the cable to ensure that it remains tight to the chaincase and clear of the pullcord, then secure the sensor wire to the speedometer connector using the **Cable Tie**. **Refer to Figure 6.**
  - vi) Replace the pullcord handle housing.

# MBRP

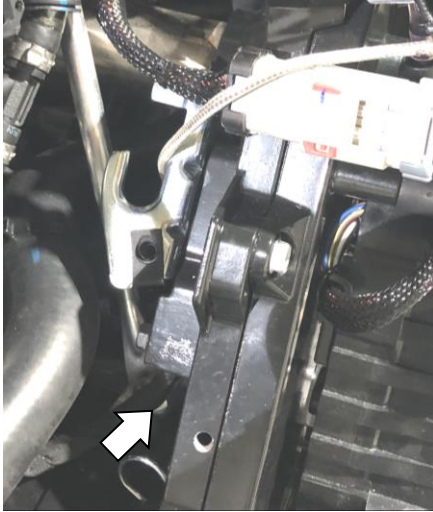


Figure 4

2. Insert the rubber bushings into the MBRP muffler brackets. Be sure the bushing with the metal sleeve is installed in the upper bracket.
3. Install the MBRP muffler. Reinstall the muffler retaining bolt and spring.
4. Reinstall the exhaust sensor.
5. Reinstall the turbo pipe, reusing the stock gaskets and hardware. Reinstall the turbo pipe heat shield.
6. Reattach the four (4) springs on the muffler inlet.
7. Replace the heat shield panels and the side panel.

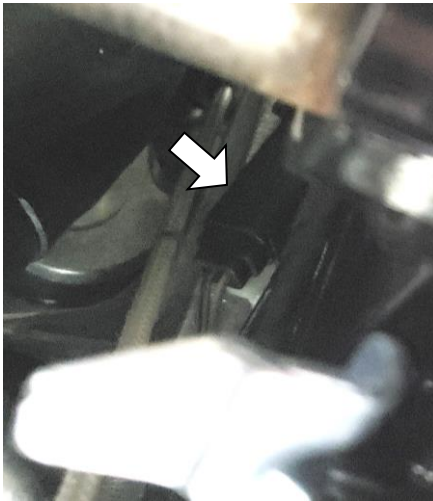


Figure 5

**Congratulations!** You are ready to begin experiencing the improved performance and driving excitement of your **MBRP** Exhaust upgrade. We know you will enjoy your purchase.

MBRP Ltd. warranty applies for a two (2) year period from the date of purchase to defects in product material and workmanship and is to the original purchaser on record and for the original vehicle for which it was designed and installed. This warranty is limited, at MBRP's sole determination, to the repair or replacement of defective product only and does not include the cost of removal or re-installation, damage by accident, abuse, misuse or misapplication or any consequential damages however they may arise. Determination of warranty coverage shall be at the discretion of an authorized MBRP quality engineer.

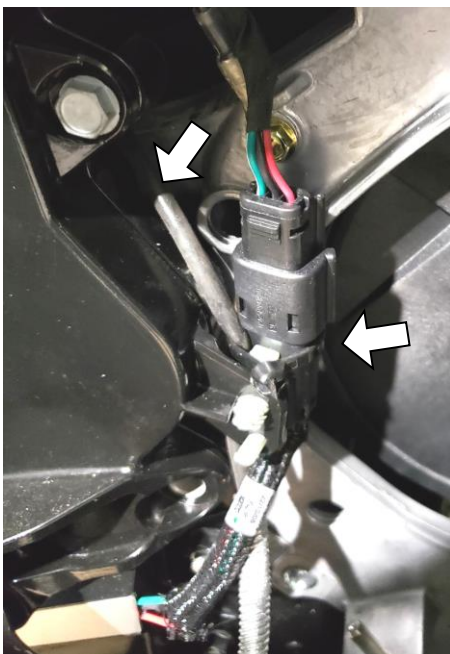


Figure 6