

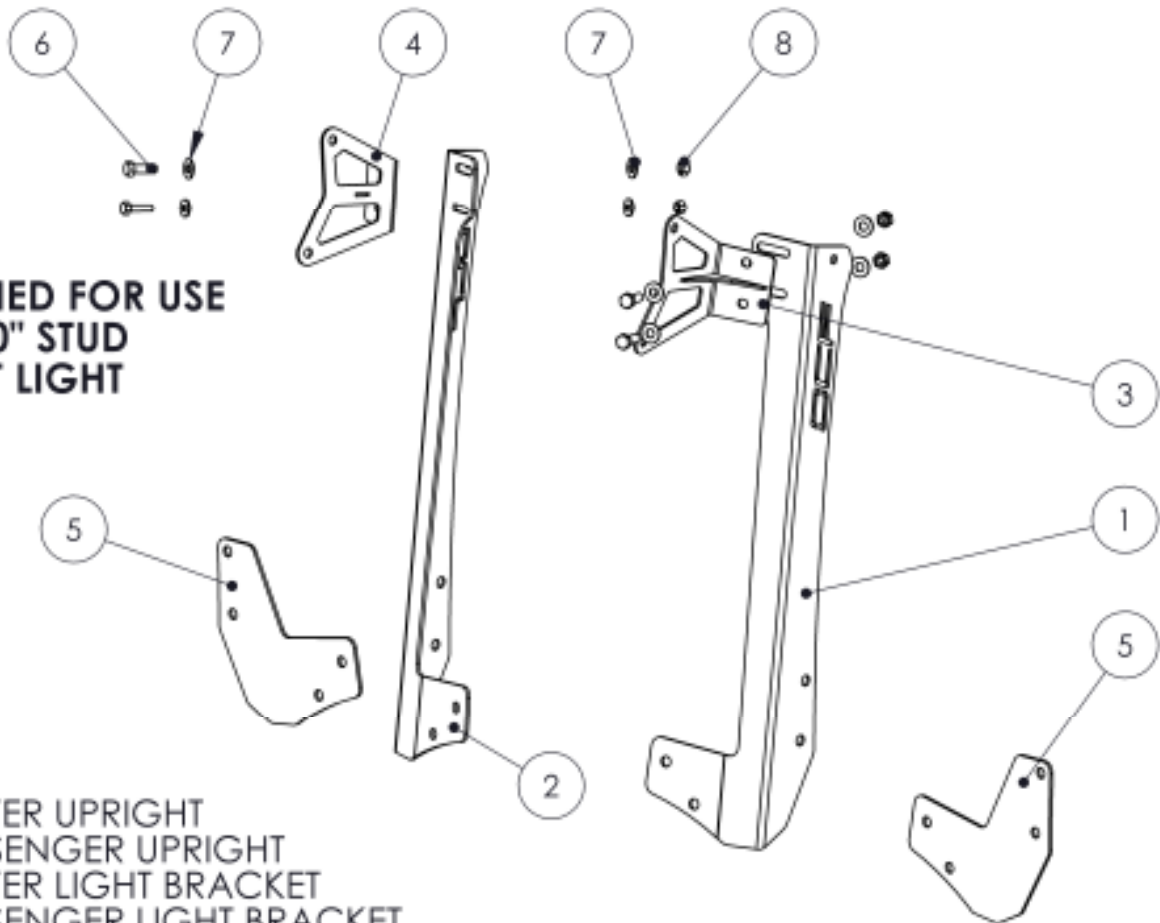
182760

**07-15 JK FORMED WINDSHIELD LIGHT KIT -
DUAL 50" LIGHT BARS**

**OFF CAMBER
FABRICATIONS**

by: **MBRP** INC.

**DESIGNED FOR USE
WITH 50" STUD
MOUNT LIGHT
BARS**



1. DRIVER UPRIGHT
2. PASSENGER UPRIGHT
3. DRIVER LIGHT BRACKET
4. PASSENGER LIGHT BRACKET
5. GASKET [2 PCS]
6. 5/16" BOLT [4 PCS]
7. 5/16" WASHER [8 PCS]
8. 5/16" NUT [4 PCS]

PLEASE READ BEFORE STARTING INSTALLATION

While MBRP Inc. has made every effort to ensure that all components of this kit are of superior quality and properly packaged, it is the installer's responsibility to ensure the following before starting:

- that ALL components shown above are present.
- that ALL mating components fit together.
- that there are no damaged components.
- that the kit you have purchased is appropriate for your year and model of vehicle.
- that the kit will not interfere with any modifications previously installed or planned.
- that you have read and understand these instructions.

If you have any questions or are uncertain about any aspect of the installation of this kit on your vehicle please contact your dealer before commencing installation.



Figure 1



Figure 2



1. Remove all six driver side windshield bracket bolts using a T40 torx bit. **Refer to Figure 1.**
2. Prewire your light bar by running the harness behind the windshield bracket and under the cowl into the engine compartment. **Refer to Figure 2.**
3. Reinstall the driver side windshield bracket and loosely install the lower two bolts. **Refer to Figure 3.**
4. Remove the two forward facing, and the top two outer bolts from the passenger side windshield bracket.

Figure 3



Figure 4



Figure 5



Figure 6



Figure 7



5. Install the **Gasket** into the **Driver Upright** along with the two outer bolts. Mount the assembly on the vehicle and thread in the outer bolts, followed by the two front bolts. Do not tighten yet.
Refer to Figures 4 and 5.
6. Repeat step 5 for the **Passenger Upright**. Ensure **Gaskets** are centered underneath the uprights and tighten all bolts.
7. Loosely install both **Driver** and **Passenger Light Brackets** with the supplied hardware. With the help of a friend, install the light bars and secure them to the light brackets.
Refer to Figure 6.
- Note: the position of the light bars can be changed from vertically stacked to staggered by flipping the brackets upside down and installing on the opposite side.**
8. Tighten the Light Bar hardware first to help properly position the light brackets on the uprights. Once the position is set, tighten the light bar bracket hardware.
Refer to Figure 7.
9. Finish wiring your light bar.



Congratulations! You're finished! We are sure that you will enjoy this **Off Camber Fabrications** product by *MBRP In*