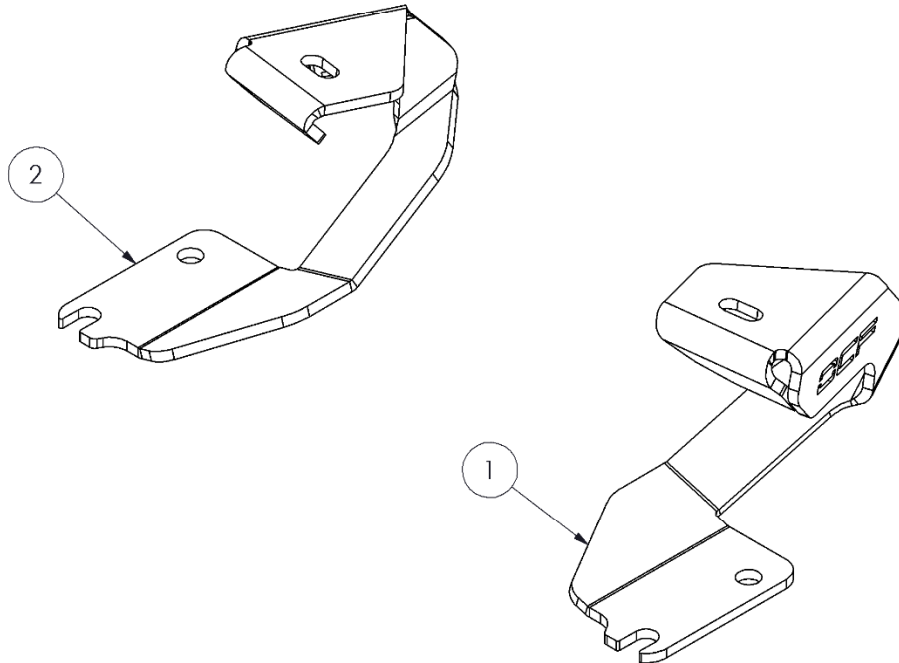


**183569**

**2005-2015 TACOMA HOOD MOUNTED  
LIGHT BRACKET KIT**

**OFF CAMBER  
FABRICATIONS**

by: **MBRP** INC.



1. DRIVER-SIDE BRACKET
2. PASSENGER-SIDE BRACKET

## **PLEASE READ BEFORE STARTING INSTALLATION**

While MBRP Inc. has made every effort to ensure that this component is of superior quality and securely packaged, it is the installers responsibility to ensure the following before starting:

- That the component is undamaged.
- That the component is appropriate for the year, make and model of vehicle it is to be installed to;
- That you have read and understand these instructions.

If you have any questions or are uncertain about any aspect of the installation of this component on your vehicle please contact your dealer before commencing installation.

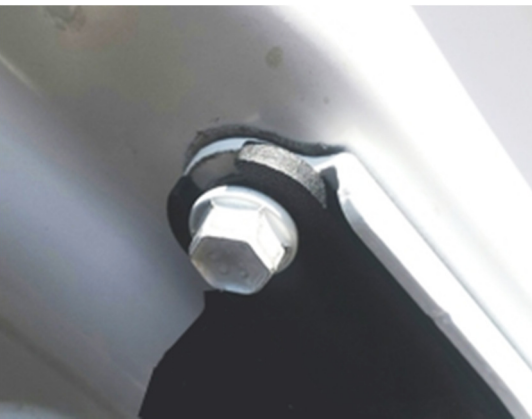
Installation of OCF Hood Light Mount Kit



**Figure 1**



**Figure 2**



**Figure 3**

1. OCF Hood Mounted Light Brackets are designed to be mounted between the OEM Hood bolts, and the Hood Hinge Bracket. Complete the installation on one side at a time.

2. Completely remove the rear bolt closest to the windshield, and loosen the forward bolt just enough to install the **Driver-side Bracket**. **DO NOT COMPLETELY REMOVE THE FORWARD BOLT. Refer to Figure 1.**

3. Rotate the Bracket into position and install the rear bolt. Tighten bolts enough to still allow adjustment. **Refer to Figure 2.**

4. The Hood must be realigned at this step. You can use the paint edge on the hood as a reference to align it with the hinge. [hood is NOT aligned in the picture] **Refer to Figure 3.**

5. Carefully close hood watching for proper fit at all gaps. If the fit requires adjustment, loosen bolts and adjust as needed.

6. Repeat steps 2 through 5 to install the **Passenger Side Bracket**. **Note:** windshield washer hose is located on passenger side and needs to be repositioned during installation. Reinstall hose into the retainers after hood alignment is complete.



Congratulations! You're finished! We are sure that you will enjoy this **Off Camber Fabrications** product by **MBRP Inc.**