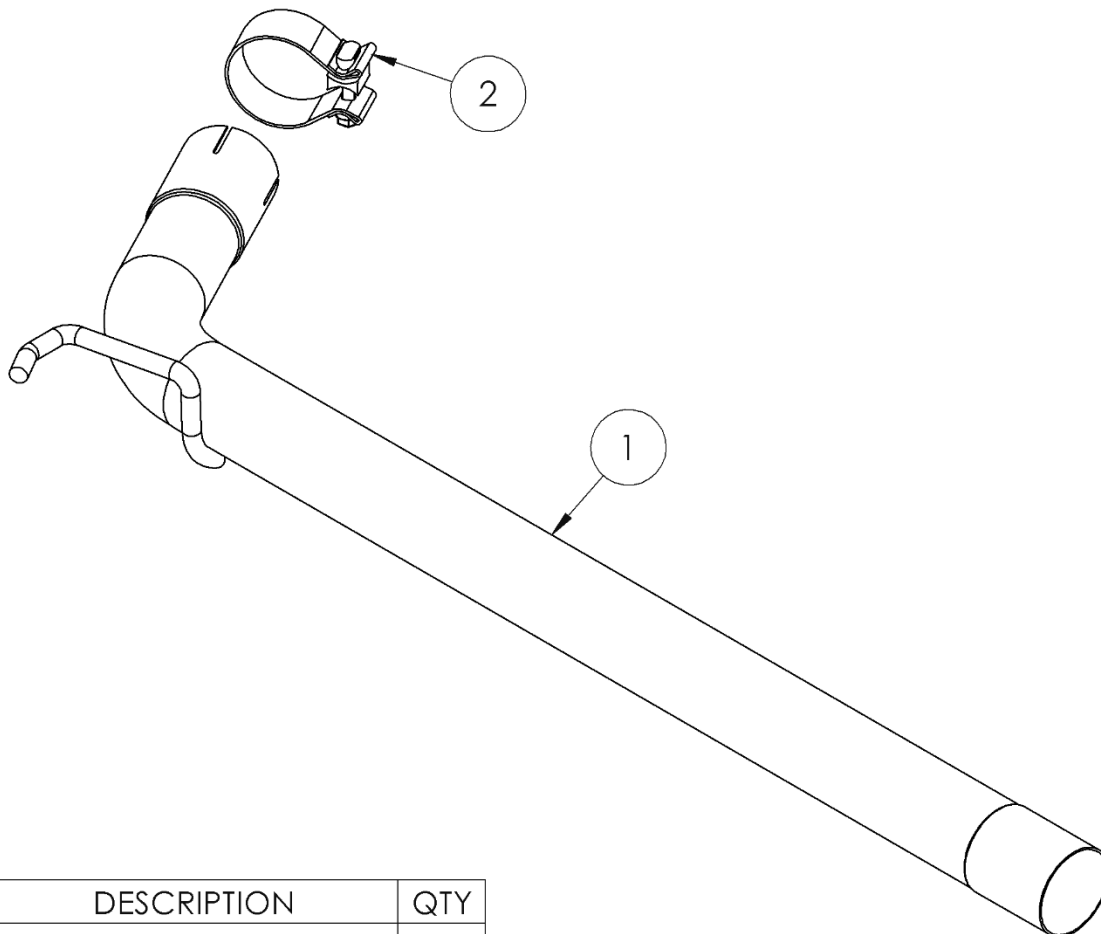


# S4616

2015-UP AUDI A3 FWD 8V, EXCL. CABRIOLET  
2015-UP VOLKSWAGEN GOLF GTI MK7/7.5/8  
2.0L TURBO, RESONATOR BYPASS, 2.5"  
ONLY FITS EXHAUST WITH 65MM TUBING

# MBRP®



ITEM	DESCRIPTION	QTY
1	RESONATOR BYPASS PIPE	1
2	2.5" CLAMP	1

## PLEASE READ BEFORE STARTING INSTALLATION

**While MBRP has made every effort to ensure that all components of this system are of superior quality and properly packaged, it is the installer's responsibility to ensure the following before removal of the factory exhaust:**

- that ALL components shown above are present.
- that ALL mating components fit together.
- that there are no damaged components.
- that the system you have purchased is appropriate for your vehicle year, model and configuration.
- that the system will not interfere with any modifications previously installed or planned.
- that you have read and understand these instructions.

If you have any questions or are uncertain about any aspect of the installation of this system to your vehicle please contact your dealer before commencing installation.

# MBRP



Figure 1



Figure 2

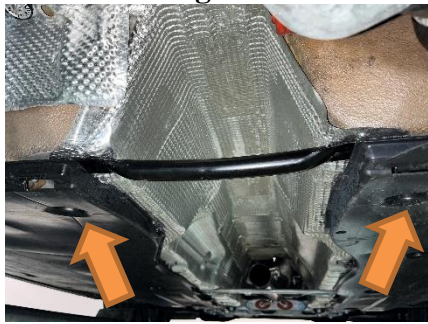


Figure 3



Figure 4



Figure 5

## Removal of Stock System

1. Apply penetrating lubricant liberally to all exhaust fasteners, hangers, and rubber insulators.

2. Mark the factory pipe 6.25" from the second bend after the resonator and verify the location by holding the **Resonator Bypass Pipe** up to the factory exhaust. The **Resonator Bypass Pipe** should overlap 2.5-3" past the marked line.

**Refer to Figure 1.**

4. After verifying, cut at marked location.

**Refer to Figure 2.**

3. Undo the front factory clamp and remove the resonator from the vehicle. Leave the clamp on the factory front pipe.

4. Remove the cross brace. **Note:** It is easiest to first undo the two (2) plastic fasteners in front of the cross brace.

**Refer to Figure 3.**

## Installation of MBRP Performance Exhaust

1. Slide the 2.5" **Clamp** onto the short end of the **Resonator Bypass Pipe** and slide the pipe onto the previously cut factory pipe. Insert the hanger into the isolator.

**Refer to Figure 4.**

2. Slide the front factory clamp over the **Resonator Bypass Pipe** and tighten, ensuring the gap to the factory exhaust is no more than 1/2".

3. Reinstall the cross brace and re-tighten the plastic nuts.

4. Carefully align the system. Align the edge of each band clamp with the edge of the joint it is connecting. Tighten all hardware and clamps, starting at the front and working rearward to secure the system. Check along the full length of the exhaust system to ensure there is adequate clearance for fuel lines, vent lines, brake lines, frame, bodywork, suspension and any wiring, etc. If there is any interference detected, relocate or adjust to provide adequate clearance. Ensure all clamp connections are secure and components are unable to rotate or slide. Band clamps require approximately 45 lb-ft (60 N-m) of torque. Verify clearances, system security and band clamp torque after 30-60 miles (50-100 km) of driving.

**Congratulations!** You are ready to begin experiencing the improved power, sound and driving experience of your **MBRP** Performance Exhaust.

We know you will enjoy your purchase!