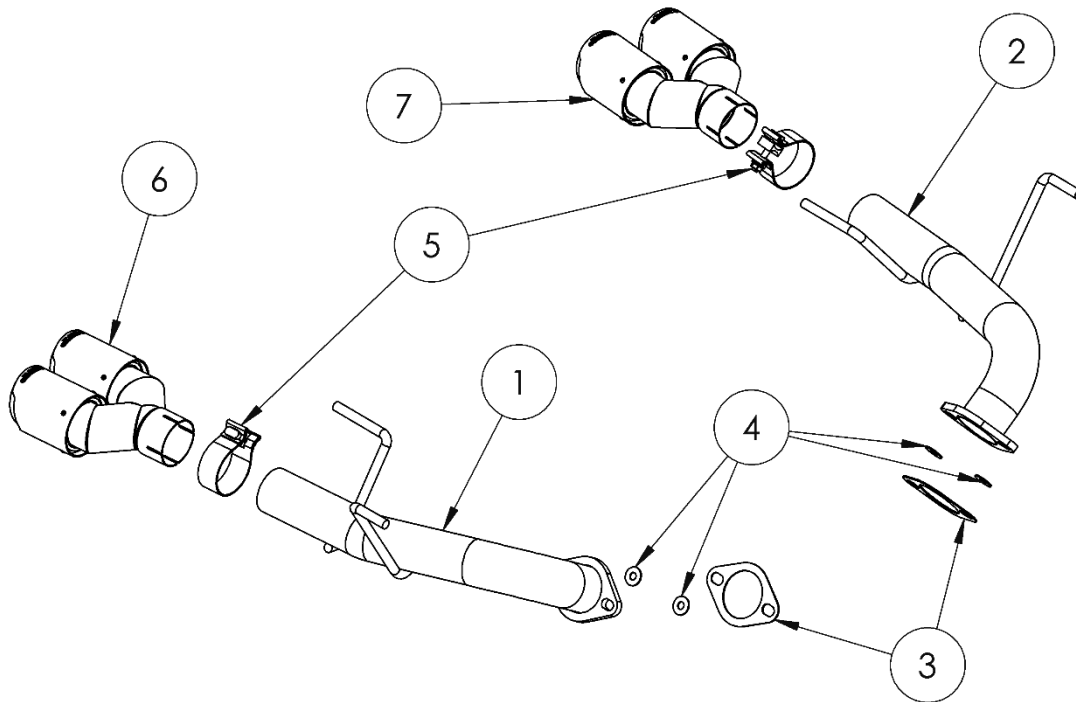


S4801

2015-2021 SUBARU WRX /WRX STI, 2.0L / 2.5L
2011-2014 SUBARU IMPREZA WRX/WRX STI SEDAN
2.0L / 2.5L, AXLE-BACK, 2.5" DUAL SPLIT REAR,
QUAD TIPS

MBRP®



ITEM	DESCRIPTION	QTY.
1	PASSENGER-SIDE TAIL PIPE	1
2	DRIVER-SIDE TAIL PIPE	1
3	GASKET	2
4	3/8" FLAT WASHER	4
5	2.5" CLAMP	2
6	PASSENGER-SIDE TIP	1
7	DRIVER-SIDE TIP	1

PLEASE READ BEFORE STARTING INSTALLATION

While MBRP has made every effort to ensure that all components of this system are of superior quality and properly packaged, it is the installer's responsibility to ensure the following before removal of the factory exhaust:

- that ALL components shown above are present.
- that ALL mating components fit together.
- that there are no damaged components.
- that the system you have purchased is appropriate for your vehicle year, model and configuration.
- that the system will not interfere with any modifications previously installed or planned.
- that you have read and understand these instructions.

If you have any questions or are uncertain about any aspect of the installation of this system to your vehicle please contact your dealer before commencing installation.

MBRP



Figure 1



Figure 2



Figure 3



Figure 4



Figure 5

Removal of Stock System

1. Apply penetrating lubricant liberally to all exhaust fasteners, hangers and rubber insulators.
2. Remove the nuts and bolts from the rear muffler flanges. Retain the hardware for the installation.
3. Remove muffler hangers from the rubber insulators and remove the mufflers from the vehicle.
Refer to Figure 1.
4. Remove the factory gaskets from the Y-pipe flanges.

Installation of MBRP Performance Exhaust

1. Place the **Passenger-Side Tail Pipe** into the factory rubber insulators. Repeat for driver-side.
Refer to Figure 2.
2. Using the supplied **Gasket, 3/8" Flat Washers** and factory hardware install the **Passenger-Side Tail Pipe** onto the factory Y-pipe. Repeat for driver-side.
Refer to Figure 3.
3. Using a **2.5" Clamp**, loosely install the **Passenger-Side Tip**. Orient the **2.5" Clamp** so that it is easily tightened, yet tucked up out of sight. Repeat for driver-side.
Refer to Figure 4.
4. Install the **Tips**, and adjust to your liking, centered in the fascia openings.
Refer to Figure 5.
5. Carefully align the system and tips. Align the edge of each band clamp with the edge of the joint it is connecting. Tighten all hardware and clamps, starting at the front and working rearward to secure the system. Check along the full length of the exhaust system to ensure there is adequate clearance for fuel lines, vent lines, brake lines, frame, bodywork, suspension and any wiring, etc. If there is any interference detected, relocate or adjust to provide adequate clearance. Ensure all clamp connections are secure and components are unable to rotate or slide. Band clamps require approximately 45 lb-ft (60 N-m) of torque. Verify clearances, system security and band clamp torque after 30-60 miles (50-100 km) of driving.

Congratulations! You are ready to begin experiencing the improved power, sound and driving experience of your **MBRP** Performance Exhaust. We know you will enjoy your purchase!