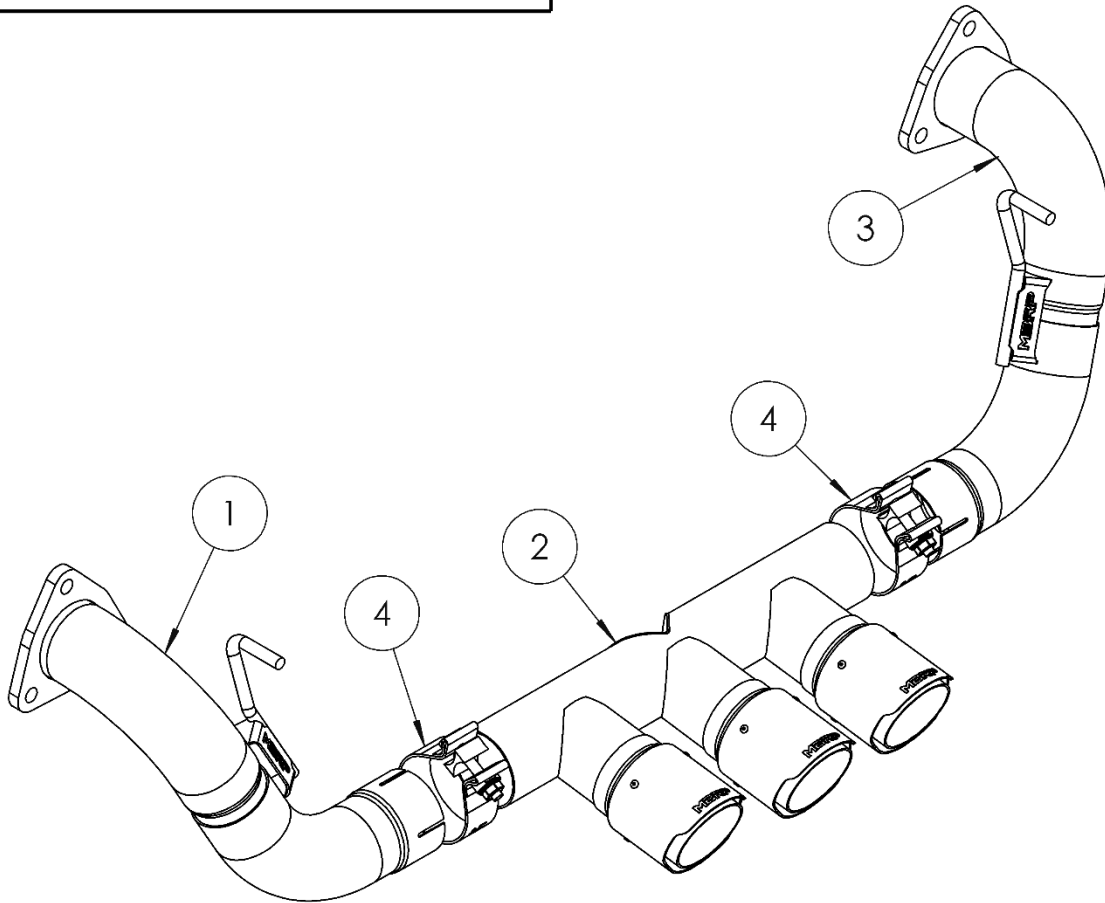


S4900

2017-2022 ACURA NSX, CAT
BACK, 2.5", CARBON TIPS, VALVE
DELETE

MBRP®



ITEM	DESCRIPTION	QTY.
1	DRIVER-SIDE DOWNPIPE	1
2	OUTLET PIPE	1
3	PASSENGER-SIDE DOWNPIPE	1
4	2.5" CLAMP	2

PLEASE READ BEFORE STARTING INSTALLATION

While MBRP has made every effort to ensure that all components of this system are of superior quality and properly packaged, it is the installer's responsibility to ensure the following before removal of the factory exhaust:

- that ALL components shown above are present.
- that ALL mating components fit together.
- that there are no damaged components.
- that the system you have purchased is appropriate for your vehicle year, model and configuration.
- that the system will not interfere with any modifications previously installed or planned.
- that you have read and understand these instructions.

If you have any questions or are uncertain about any aspect of the installation of this system to your vehicle please contact your dealer before commencing installation.

MBRP

Removal of Stock System



Figure 1



Figure 2



Figure 3



Figure 4



Figure 5



Figure 6

1. Remove the rear wheels and the rear fenders liners. The liners are retained by multiple plastic push pins.

2. Remove the fasteners inside the rear of both wheelwells which secure the rear fascia to the body.

Refer to Figure 1.

3. Remove the fasteners along the lower edge of the rear fascia.

4. Disconnect the rear fascia wiring connector located in the passenger-side wheelwell.

Refer to Figure 2.

5. Starting at the wheelwells, pull outward on the rear fascia around the upper perimeter to release the fascia from the retaining clips and remove the rear fascia from the vehicle.

Refer to Figure 3.

6. Remove the rear exhaust isolators from the OEM exhaust hangers before unbolting and removing the crash bar from the vehicle.

Refer to Figure 4.

7. Disconnect the exhaust valve wiring from the vehicle.

Refer to Figure 5.

8. Remove the 3 nuts from each downpipe flange and remove the OEM exhaust assembly. Retain the nuts and the OEM gaskets as they will be reused.

Refer to Figure 6.

Installation of MBRP Performance Exhaust

1. Pre-assemble the **Driver-Side Downpipe, Outlet Pipe, and Passenger-Side Downpipe** off of the vehicle using the supplied **2.5" Clamps**. Align the clamps as shown to provide easy access for adjustment later in the installation. Do not fully tighten until all parts are installed.

Refer to Figures 7 and 8.

2. Install the pre-assembled exhaust onto the OEM catalytic converter outlets using the OEM gaskets and secure with the previously removed nuts.

Refer to Figure 9.

MBRP

3. Install the crash bar onto the vehicle by first installing the **Driver-Side Downpipe** and **Passenger-Side Downpipe** hangers into the isolators followed by securing the crash bar to the vehicle with the previously removed bolts. **Refer to Figure 10.**

4. The system is designed to allow the **Outlet Pipe** to be adjusted laterally as well as angled in order to correctly position the tips in the rear fascia opening. Adjust the **Outlet Pipe** so the tips point slightly downhill and are centered as measured on the vehicle by using a reference point on the crash bar. This will make final adjustment much easier once the rear fascia is installed. Tighten the **2.5" Clamps** just enough to prevent movement but still allow for final adjustment.

Refer to Figure 11.

5. Install the rear fascia, fender liners and wheels in the reverse order as illustrated in the removal procedure.

6. Perform a final adjustment of the **Outlet Pipe** to ensure the tips are centered in the rear fascia opening. Tighten both **2.5" Clamps** through the opening in the fascia to secure the system in place.

7. Align the edge of each band clamp with the edge of the joint it is connecting. Tighten all hardware and clamps, starting at the front and working rearward to secure the system. Check along the full length of the exhaust system to ensure there is adequate clearance for fuel lines, vent lines, brake lines, frame, bodywork, suspension, and any wiring, etc. If there is any interference detected, relocate, or adjust to provide adequate clearance. Ensure all clamp connections are secure and components are unable to rotate or slide. Band clamps require approximately 45 lb-ft (60 N-m) of torque. Verify clearances, system security and band clamp torque after 30- 60 miles (50-100 km) of driving.

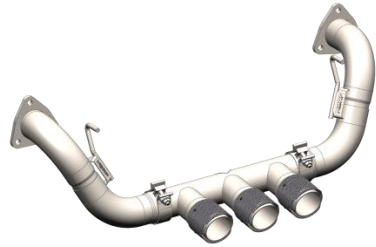


Figure 7



Figure 8



Figure 9



Figure 10



Figure 11

Congratulations! You are ready to begin experiencing the improved power, sound and driving experience of your **MBRP** Performance Exhaust. We know you will enjoy your purchase!