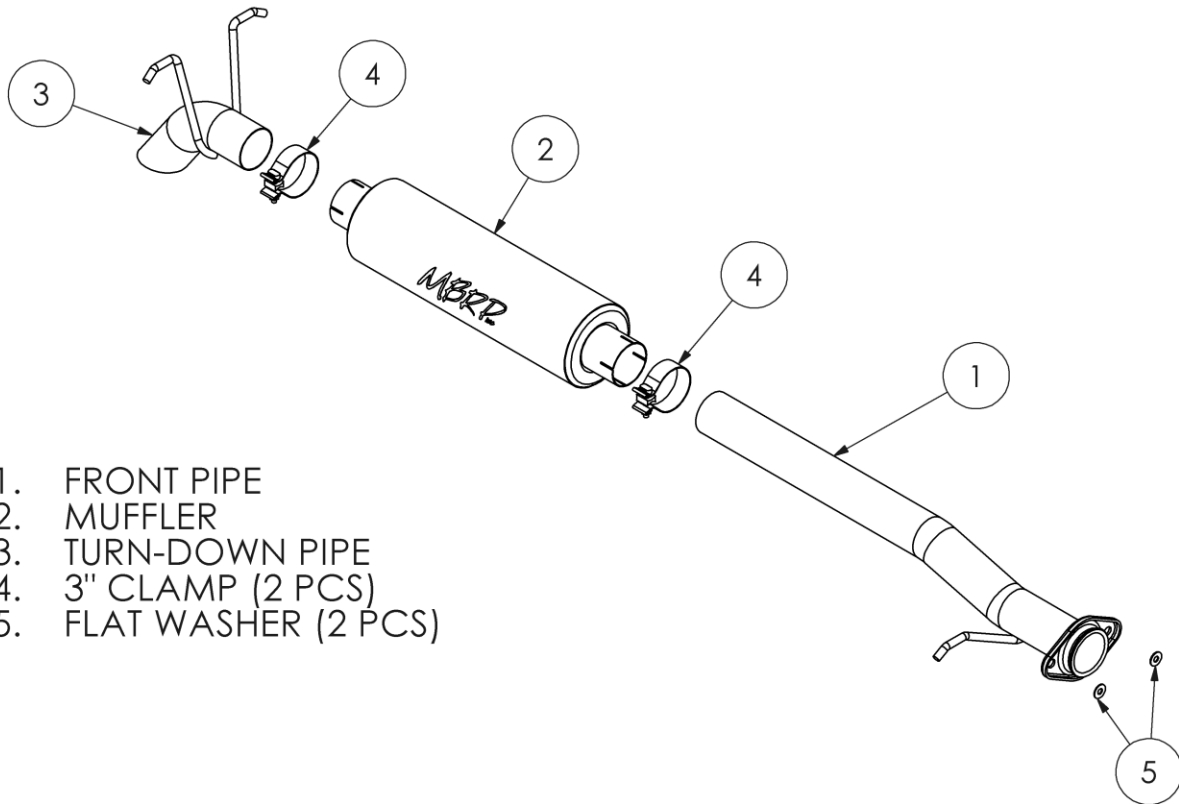


S5089

2015-16 CHEV/GMC,
CANYON/COLORADO 2.5L/3.6L,
3" SINGLE, TURN-DOWN

MBRP
INC.
PERFORMANCE EXHAUST



1. FRONT PIPE
2. MUFFLER
3. TURN-DOWN PIPE
4. 3" CLAMP (2 PCS)
5. FLAT WASHER (2 PCS)

PLEASE READ BEFORE STARTING INSTALLATION

While MBRP Inc. has made every effort to ensure that all components of this system are of superior quality and properly packaged, it is the installer's responsibility to ensure the following before removal of the factory exhaust:

- that ALL components shown above are present.
- that ALL mating components fit together.
- that there are no damaged components.
- that the system you have purchased is appropriate for your vehicle year, model and configuration.
- that the system will not interfere with any modifications previously installed or planned.
- that you have read and understand these instructions.

If you have any questions or are uncertain about any aspect of the installation of this system to your vehicle please contact your dealer before commencing installation.

Removal of Stock System:



Figure 1

1. Apply a penetrating lubricant liberally to all hangers and rubber isolators.
2. Remove two flange nuts at the front flex pipe flange. Save the flange nuts as they will be used for the installation.

Refer to Figure 1.



Figure 3

3. Remove the factory hangers from the rubber isolators and remove the factory system.

Installation of MBRP Inc. Performance Exhaust:

1. The **Front Pipe** is supplied to fit the long wheelbase (CCLB) truck. If you have a short wheelbase truck (CCSB, ECLB) you will need to cut 12.25" off the **Front Pipe**.

Refer to Figure 2.

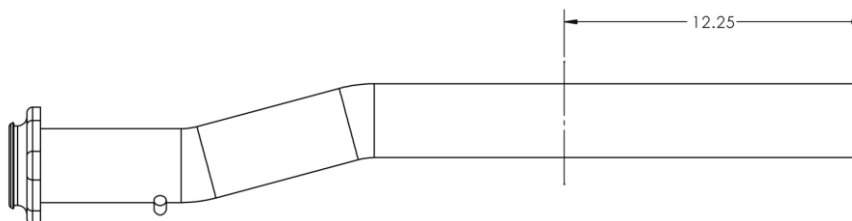


Figure 2.



Figure 4

2. Loosely install the **Front Pipe** using the supplied 3/8" Washers, factory flange nuts and rubber isolator.

Refer to Figure 3.



Figure 5

3. Install the **Turn-Down Pipe** into the factory rubber isolators. It may be easiest to remove one of the front isolators and install onto the **Turn-Down Pipe** hanger first, then back onto the factory frame hanger.

Refer to Figure 4.



Figure 6

4. Place a 3" **Clamp** over the **Front Pipe** and **Turn-Down Pipe**.
5. Install the **Muffler** onto the **Front Pipe** then the **Turn-Down Pipe**.
6. Once everything is aligned, completely tighten all **Clamps** and **Hardware**.
7. Check along the whole length of the exhaust system to ensure that there is adequate clearance around the frame, body, fuel and brake lines or any wiring. If any interference is detected, relocate or adjust.

Congratulations! You are ready to begin experiencing the improved power, sound and driving experience of your

MBRP Inc. performance exhaust system. We know you will enjoy your purchase.