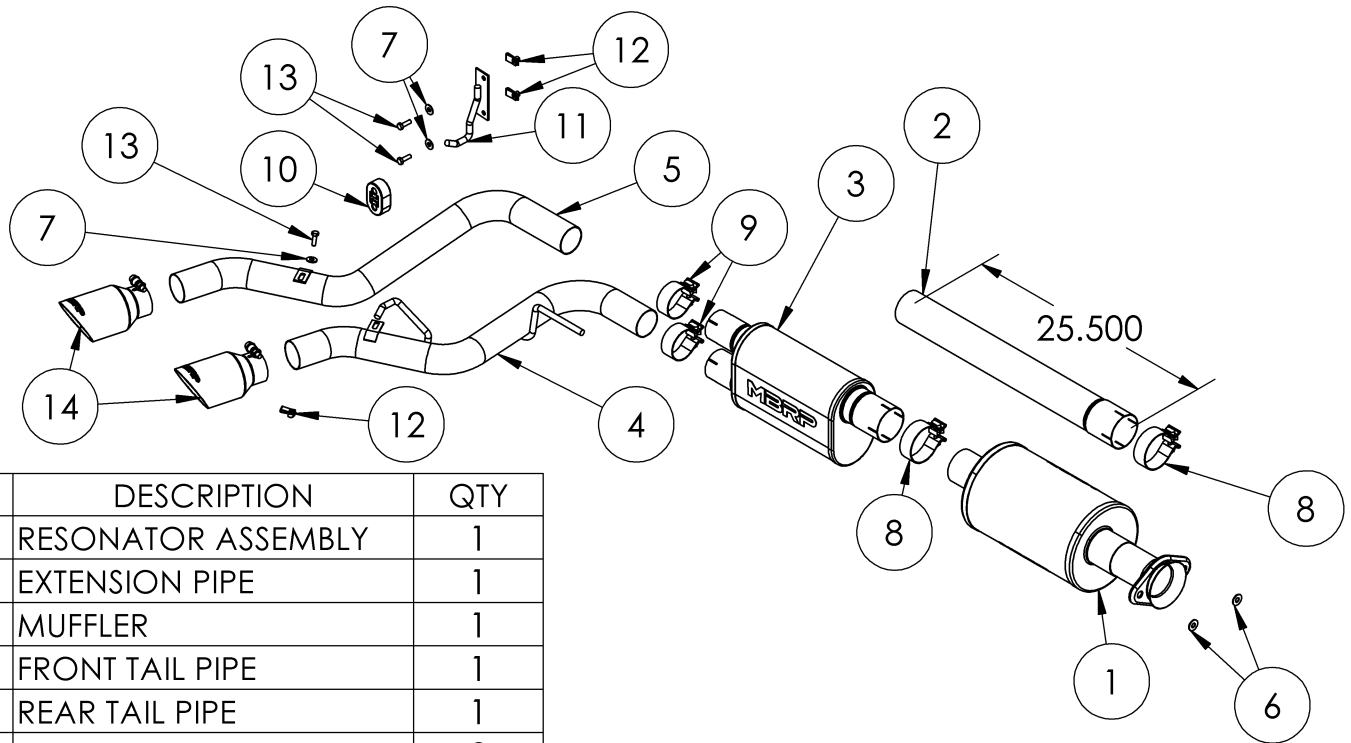


S5219

2021-UP FORD F150,
2.7L ECOBOOST, 3.5L ECOBOOST, 5.0L,
EXCL. POWERBOOST, EXCL. POWER RUNNING
BOARDS, EXCL. REG CAB SHORT BOX
CAT-BACK, 2.5" DUAL PRE-AXLE, PASSENGER-SIDE,
STREET PROFILE

MBRP®



ITEM	DESCRIPTION	QTY
1	RESONATOR ASSEMBLY	1
2	EXTENSION PIPE	1
3	MUFFLER	1
4	FRONT TAIL PIPE	1
5	REAR TAIL PIPE	1
6	3/8" FLAT WASHER	2
7	5/16" FLAT WASHER	3
8	3.0" CLAMP	2
9	2.5" CLAMP	2
10	ISOLATOR	1
11	HANGER BRACKET	1
12	PANEL NUT	3
13	5/16" HEX BOLT X 1"	3
14	TIP	2

PLEASE READ BEFORE STARTING INSTALLATION

While MBRP has made every effort to ensure that all components of this system are of superior quality and properly packaged, it is the installer's responsibility to ensure the following before removal of the factory exhaust:

- that ALL components shown above are present.
- that ALL mating components fit together.
- that there are no damaged components.
- that the system you have purchased is appropriate for your vehicle year, model and configuration.
- that the system will not interfere with any modifications previously installed or planned.
- that you have read and understand these instructions.

If you have any questions or are uncertain about any aspect of the installation of this system to your vehicle please contact your dealer before commencing installation.

MBRP®

Removal of Stock System:

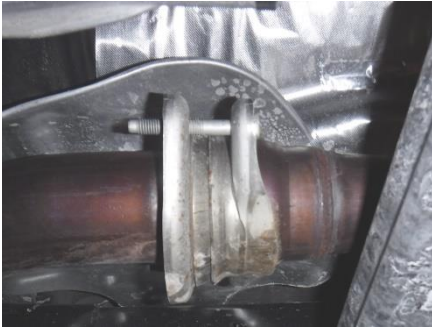


Figure 1

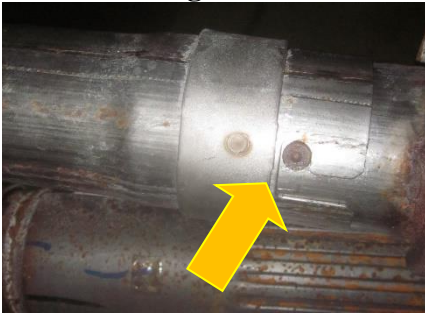


Figure 2



Figure 4



Figure 5

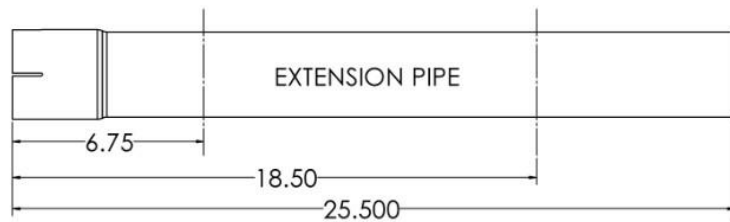


Figure 6

1. Apply a penetrating lubricant liberally to all hangers and rubber isolators.
2. Loosen the factory clamp in front of the muffler.
3. Loosen the factory extension pipe flange bolts.
Refer to Figure 1.
4. Rotate the factory extension pipe to release the factory muffler inlet locking boss.
Refer to Figure 2.
5. Remove the factory muffler assembly from the hangers and remove from the vehicle.
6. Remove the factory extension pipe bolts and remove the factory extension pipe from the vehicle.

Installation of MBRP Performance Exhaust:

1. Determine the overall length of the **Extension Pipe** and cut to length.
Refer to Figure 3.



WHEELBASE	EXTENSION PIPE LENGTH
141" RC 8' BOX	NONE
145" EC 6.5' BOX/ SC 5.5' BOX	6.75
157" SC 6.5' BOX	18.5
164' EC 8' BOX	25.5

Figure 3.

2. Loosely install the **Resonator Assembly** using the factory bolts, and **3/8" Flat Washers**. Install the **Extension Pipe** (if required) with a **3" Clamp**.
Refer to Figure 4.
3. Install the **Hanger Bracket** onto the outside of the passenger-side frame, in front of the leaf spring eye, using two **Panel Nuts**, two **5/16" Flat Washers**, and two **5/16" Bolts**. A Super Crew model is shown.
Refer to Figures 5 and 6.

MBRP®



Figure 7



Figure 8



Figure 9

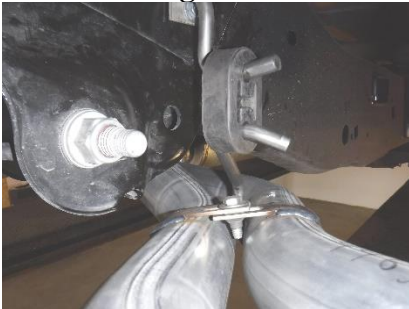


Figure 10



Figure 11

4. Using a **3" Clamp**, loosely install the **Muffler** onto the **Resonator Assembly**, or **Extension Pipe**. The **Muffler** will need some support until the other pipes are attached.

Refer to Figure 7.

5. Using a **2.5" Clamp**, install the **Front Tail Pipe** into the lower **Muffler** outlet and into the factory isolator (EcoBoost models use a round isolator).

Refer to Figure 8.

6. Install the **Rubber Isolator** onto the **Hanger Bracket** and **Front Tail Pipe**.

Refer to Figure 8 (Arrow).

7. Using a **2.5" Clamp**, install the **Rear Tail Pipe** into the upper **Muffler** outlet, keeping the mounting tab above the **Front Tail Pipe** mounting tab and attaching with the supplied **5/16" Bolt, Washer and Panel Nut**.

Refer to Figures 9, 10 and Page 1.

8. Install the **Exhaust Tips** and adjust to your liking.

Refer to Figure 11.

9. Align all the components to ensure the **Exhaust Tips** are level and parallel.

10. Align the edge of each band clamp with the edge of the joint it is connecting. Tighten all hardware and clamps, starting at the front and working rearward to secure the system. Check along the full length of the exhaust system to ensure there is adequate clearance for fuel lines, vent lines, brake lines, frame, bodywork, suspension and any wiring, etc. If there is any interference detected, relocate or adjust to provide adequate clearance. Ensure all clamp connections are secure and components are unable to rotate or slide. Band clamps require approximately 45 lb-ft (60 N-m) of torque. Verify clearances, system security and band clamp torque after 30-60 miles (50-100 km) of driving.



Congratulations! You are ready to begin experiencing the improved power, sound and driving experience of your **MBRP** performance exhaust system. We know you will enjoy your purchase.