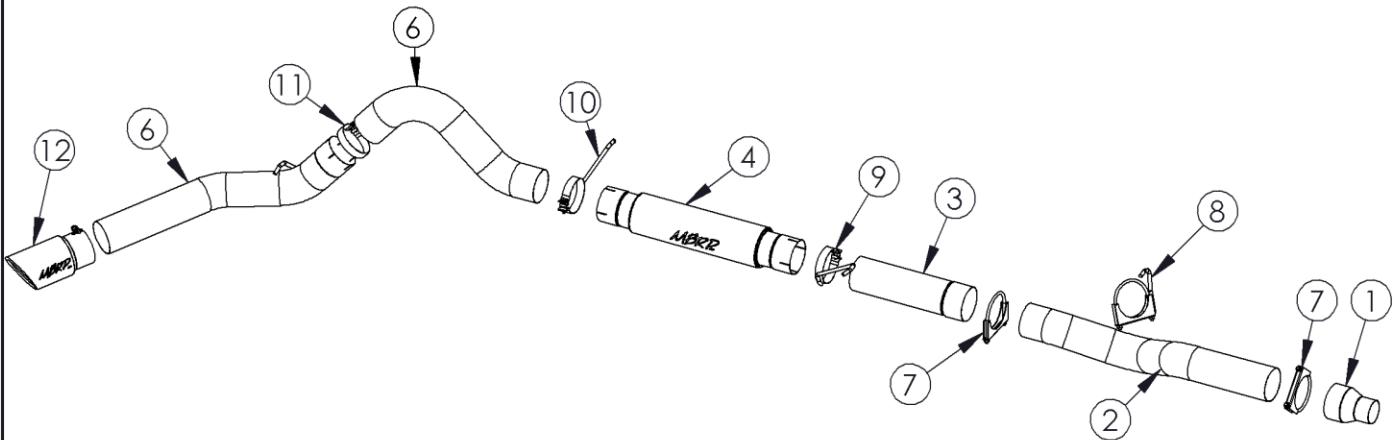


S6024

06-07 CHEV/GMC 2500/3500
6.6L DURAMAX, CAT BACK,
EC/CC, 5" SINGLE SIDE

MBRP
INC.
PERFORMANCE EXHAUST



1. 3.5" TO 5" ADAPTER
2. MID PIPE
3. 18" EXTENSION PIPE
4. MUFFLER
5. OVER AXLE PIPE
6. TAIL PIPE
7. 5" CLAMP (2PCS)
8. 5" HANGER CLAMP
9. 5" HANGER BAND CLAMP
10. 5" HANGER BAND CLAMP
11. 5" BAND CLAMP
12. EXHAUST TIP

PLEASE READ BEFORE STARTING INSTALLATION

While MBRP Inc. has made every effort to ensure that all components of this system are of superior quality and properly packaged, it is the installer's responsibility to ensure the following before removal of the factory exhaust:

- that ALL components shown above are present.
- that ALL mating components fit together.
- that there are no damaged components.
- that the system you have purchased is appropriate for your vehicle year, model and configuration.
- that the system will not interfere with any modifications previously installed or planned.
- that you have read and understand these instructions.

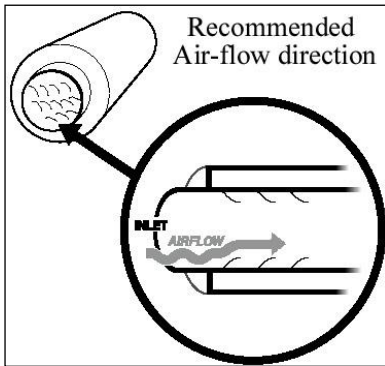
If you have any questions or are uncertain about any aspect of the installation of this system to your vehicle please contact your dealer before commencing installation.

Removal of stock system:

1. Apply a penetrating lubricant liberally to all exhaust fasteners, hangers and rubber insulators.
2. Loosen the band clamp located behind the catalytic converter and disconnect the factory exhaust system.
3. Remove the exhaust system from the rubber insulators and remove from under the vehicle. If a hoist is not available for use, it may be necessary to cut the tail pipe behind the muffler for removal of the system.
4. Remove the spare tire. You may not be able to reinstall your spare tire after the installation of this exhaust system.

Installation of MBRP Inc. Performance Exhaust:

1. Place the **3.5" to 5" Adapter** into the factory band clamp located behind the catalytic converter.
2. Connect the **Mid Pipe** to the **3.5" to 5" Adapter** at the slip joint placing the bend around and under the cross member. The **Mid Pipe** does not require cutting to fit crew cab trucks. For extended cab trucks, approximately 9½" needs to be cut off the end with the longest straight section of pipe. **Installation tip:** Temporarily hang the **Muffler** and the **Tail Pipe** in place and measure to the **Adapter** to verify the length required.
3. Rotate the **Mid Pipe** toward the drive shaft and loosely install the **5" Hanger Clamp**. This will support the Extension Pipe during the **Muffler** installation.
4. Crew cab & extended cab long bed trucks require the use of the **18" Extension Pipe** provided. This is to be positioned between the **Muffler** and the **Mid Pipe**. The **18" Extension Pipe** is not required with short bed trucks.



5. Install the **5" Hanger Band Clamp** into the OEM rubber hanger located on the frame above the inlet of the **Muffler**.
6. Install the **Muffler** over the required pipe so that the exhaust will flow smoothly over the louvers. Refer to the illustration on the left.
7. Install the **Over Axle Pipe** and the **5" Hanger Band Clamp** to the **Muffler** outlet.
8. Install the **Tail Pipe** hanger into the OEM hanger using **5" Band Clamp** connect it to the **Over Axle Pipe**.
9. Install the provided clamps around the pipes where needed. Adjust the **Tail Pipe** and check along the whole length of the exhaust system to ensure there is adequate clearance around the fuel & brake lines, wiring and body panels. If there is any interference detected relocate or adjust.
10. Install and adjust the **Exhaust Tip** to suit. Tighten the lock bolt located on **Exhaust Tip**.
11. Make sure the exhaust is in place before tightening the clamps. Start at the front of the exhaust system and begin tighten all connections.

Congratulations! You are ready to begin enjoying the improved performance and driving experience of your MBRP Inc. performance exhaust system. We hope you enjoy your purchase.