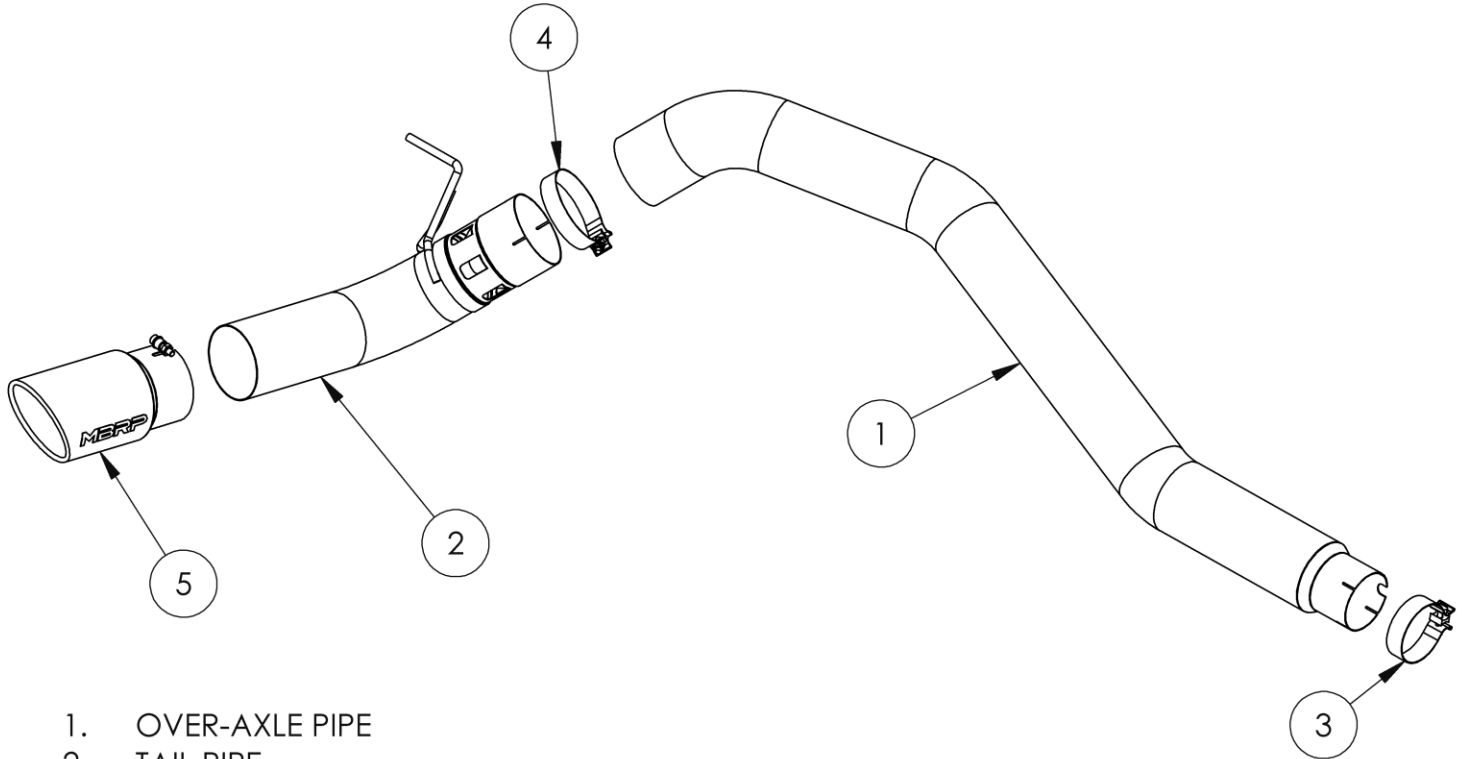


S6401

2016-2019 NISSAN TITAN XD 5" SINGLE

MBRP®



1. OVER-AXLE PIPE
2. TAIL PIPE
3. 4" CLAMP
4. 5" CLAMP
5. TIP

PLEASE READ BEFORE STARTING INSTALLATION

While MBRP has made every effort to ensure that all components of this system are of superior quality and properly packaged, it is the installer's responsibility to ensure the following before removal of the factory exhaust:

- that ALL components shown above are present.
- that ALL mating components fit together.
- that there are no damaged components.
- that the system you have purchased is appropriate for your vehicle year, model and configuration.
- that the system will not interfere with any modifications previously installed or planned.
- that you have read and understand these instructions.

If you have any questions or are uncertain about any aspect of the installation of this system to your vehicle please contact your dealer before commencing installation.

MBRP®

Removal of Stock System:



Figure 1

1. Apply a penetrating lubricant liberally to all hangers and rubber isolators.
2. Loosen the factory over-axle pipe clamp at the rear of the DPF (Diesel Particulate Filter).
Refer to Figure 1.



Figure 2

3. Remove the two bolts attaching the tail pipe rubber isolator and remove the factory system. Save the factory isolator and bolts for the installation.
Refer to Figure 2.

Installation of MBRP Performance Exhaust:



Figure 3

1. Along with the **4" Clamp**, place the **Over-Axle Pipe** onto the DPF outlet. Align the notch with the locator boss.
Refer to Figure 3.



Figure 4

2. Using the **5" Clamp** loosely install the **Tail Pipe** onto the **Over-Axle Pipe**.
Refer to Figure 4.



Figure 5

3. Place the factory rubber isolator onto the **Tail Pipe** hanger and re-attach the isolator to the frame using the original bolts.
Refer to Figure 4.

4. Install the **Exhaust Tip** and adjust to your liking.
Refer to Figure 5.

5. Once everything is aligned, completely tighten all **Clamps** and **Hardware**.

6. Check along the whole length of the exhaust system to ensure that there is adequate clearance around the frame, body, fuel and brake lines or any wiring. If any interference is detected, relocate or adjust.



Congratulations! You are ready to begin experiencing the improved power, sound and driving experience of your **MBRP** performance exhaust system. We know you will enjoy your purchase.