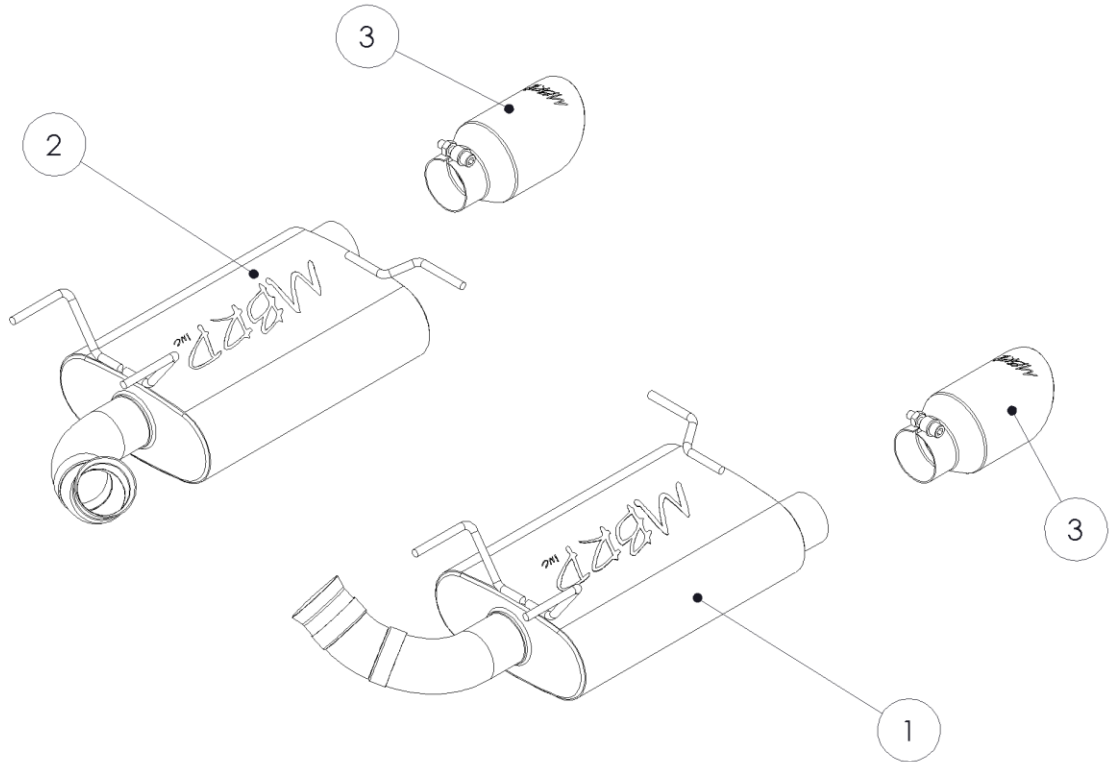


S7242

2011-13 MUSTANG V6 AXLE BACK MUFFLER KIT

MBRP
INC.
PERFORMANCE EXHAUST



1. DRIVER SIDE MUFFLER
2. PASSENGER SIDE MUFFLER
3. TIP [2 PCS]

PLEASE READ BEFORE STARTING INSTALLATION

While MBRP Inc. has made every effort to ensure that all components of this system are of superior quality and properly packaged, it is the installer's responsibility to ensure the following before removal of the factory exhaust:

- that ALL components shown above are present.
- that ALL mating components fit together.
- that there are no damaged components.
- that the system you have purchased is appropriate for your vehicle year, model and configuration.
- that the system will not interfere with any modifications previously installed or planned.
- that you have read and understand these instructions.

If you have any questions or are uncertain about any aspect of the installation of this system to your vehicle please contact your dealer before commencing installation.

2011-13 Mustang V6 Axle Back Muffler Kit

Removal of Stock Mufflers



Figure 1



Figure 2



Figure 3



Figure 4

1. Loosen the OEM band clamp at the muffler inlet joint on both mufflers.
Refer to Figure 1.

2. Remove the rear muffler hanger from the rubber isolator. Lower the rear of the muffler and slide the muffler upward toward the front of the car to remove from the front hangers. Repeat for the other side.
Refer to Figure 2.

Installation of MBRP Inc. Performance Exhaust:

1. Remove the OEM band clamp from the OEM Muffler assemblies by cutting the retaining bracket. Slide the OEM clamps onto the **MBRP Muffler assemblies**.

Refer to Figure 3.

2. Install the **MBRP Driver and Passenger Muffler assemblies** by aligning the 2 front hangers with the rubber mount on the car. Insert the hangers by sliding the **Driver and Passenger Mufflers assemblies** upward toward the front of the car. Lift the rear of the mufflers and install the rear rubber isolator.

Refer to Figure 4.

3. Position the over axle pipe into the muffler inlet pipes and secure with the OEM band clamp.

4. Install the supplied **Tips** and align the system making sure that there is clearance between all hoses and underbody components.

Congratulations! You are ready to begin experiencing the improved power, sound and driving excitement of your MBRP Inc. performance exhaust system. We know you will enjoy your purchase.