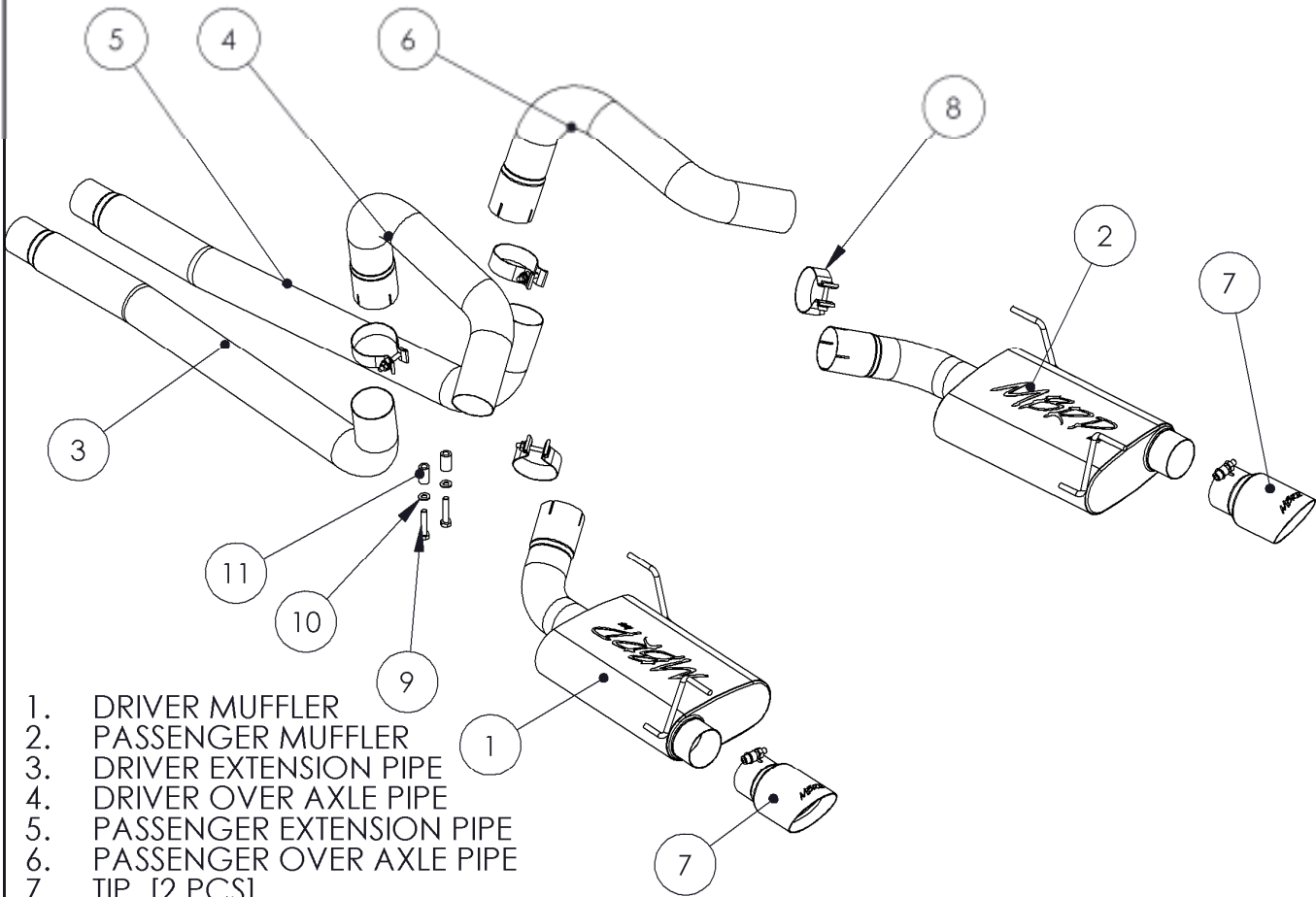


**S7246**

**2007-2010 MUSTANG GT500 STREET SERIES  
CAT BACK KIT**

**MBRP**  
INC.

**PERFORMANCE EXHAUST**



1. DRIVER MUFFLER
2. PASSENGER MUFFLER
3. DRIVER EXTENSION PIPE
4. DRIVER OVER AXLE PIPE
5. PASSENGER EXTENSION PIPE
6. PASSENGER OVER AXLE PIPE
7. TIP [2 PCS]
8. 3" CLAMP [4 PCS]
9. M10x50 BOLT [2 PCS]
10. M10 WASHER [2 PCS]
11. SPACER [2 PCS]

### **PLEASE READ BEFORE STARTING INSTALLATION**

**While MBRP Inc. has made every effort to ensure that all components of this system are of superior quality and properly packaged it is the installer's responsibility to ensure the following before removal of the factory exhaust:**

- that ALL components shown above are present.
- that ALL mating components fit together.
- that there are no damaged components.
- that the system you have purchased is appropriate for your vehicle year, model and configuration.
- that the system will not interfere with any modifications previously installed or planned.
- that you have read and understand these instructions.

If you have any questions or are uncertain about any aspect of the installation of this system to your vehicle please contact your dealer before commencing installation.

2007-2010 Mustang GT500 Street Series Cat Back



**Figure 1**



**Figure 2**



**Figure 3**



**Figure 4**



**Figure 5**

Removal of Stock System:

1. Apply a penetrating lubricant liberally to all exhaust fasteners, hangers and rubber insulators.
2. Loosen both OEM clamps located at each muffler inlet, and both OEM band clamps at the H Pipe outlet. Lift the lock tab to slide the band clamp rearward. Do not discard these clamps.  
**Refer to Figures 1 and 2.**
3. Remove the OEM Over Axle Pipes by lowering the inlet ends and pulling them out towards the front of the car.
4. Remove both M10 Bolts that secure the panhard bar brace to the driver side frame rail. Pull the brace downward to allow more room to remove the OEM mufflers. Remove the bolts that secure the REAR muffler hangers and set aside. Slide the muffler assemblies rearward and remove them from the car.  
**Refer to Figure 3.**

Installation of MBRP Inc. Performance Exhaust:

1. Install the **Driver** and **Passenger Mufflers** by inserting the forward hangers into the OEM isolators, sliding the muffler forward followed by inserting the rear hanger into the rear OEM isolators. Lift the mufflers up into position and reattach the rear muffler hanger to the frame rail.  
**Refer to Figures 4 and 5.**



Figure 6

2. Install both **Driver** and **Passenger Over Axle Pipes** and insert them into the **Driver** and **Passenger Mufflers**. Be sure that the supplied **Clamps** are installed over the joint. Do not tighten yet.

**Refer to Figure 6.**



Figure 7

3. Install both **Driver** and **Passenger Extension Pipes** by first installing the OEM band clamp removed previously onto the inlet ends of the **Extension Pipes**. Slide the **Extension Pipes** onto the outlet ends of the OEM H Pipe. Do not tighten yet.

**Refer to Figure 7.**



Figure 8

4. Join the **Extension Pipes** to the **Over Axle Pipes**. Be sure that the supplied **Clamps** are installed over the joint. Do not tighten yet.

**Refer to Figure 8.**



Figure 9

5. Tighten all clamps just enough to hold the pipes in place but allowing for adjustment.

6. Reattach the panhard bar brace to the driver side frame rail with the supplied **M10x50 bolts** and **Spacers** to allow more clearance for the **Drive Side Over axle Pipe**. Install the **Tips** onto the **Muffler** outlets. **Refer to Figures 9 and 10.**



Figure 10

7. Adjust the system to provide clearance between all other under body components and hoses while ensuring the **Tips** are centered in the rear fascia. Tighten all clamps once properly adjusted.

**Congratulations!** You are ready to begin experiencing the improved power, sound and driving excitement of your MBRP Inc. performance exhaust system. We know you will enjoy your purchase.