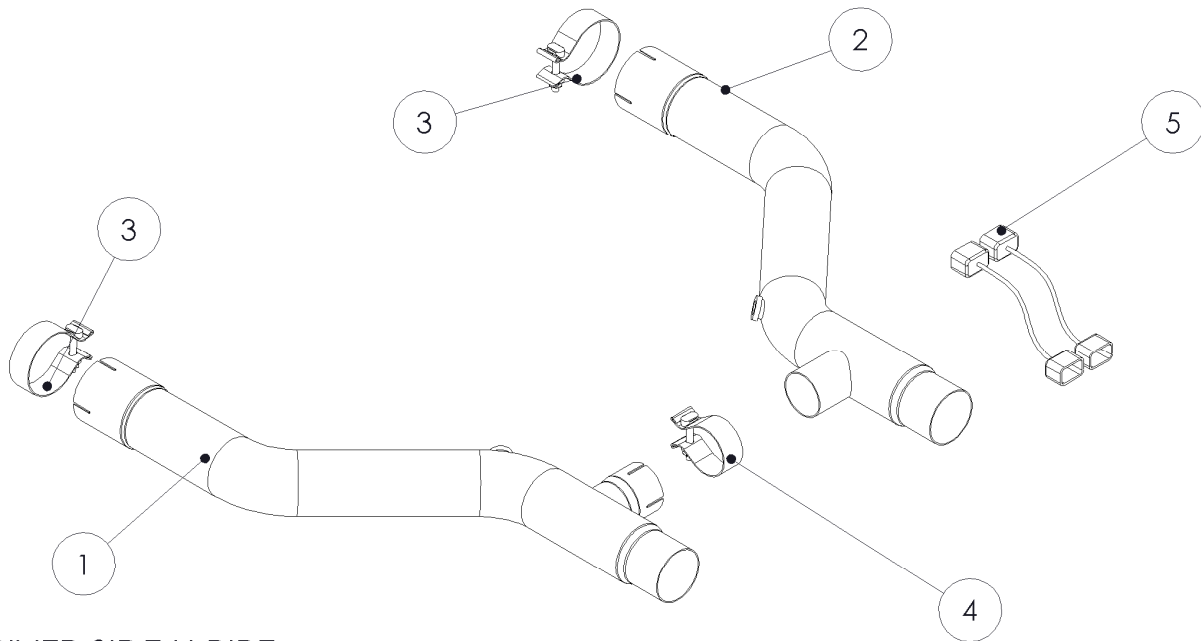


C7267

2011-14 GT 5.0 OFFROAD H PIPE FOR HEADERS



1. DRIVER SIDE H PIPE
2. PASSENGER SIDE H PIPE
3. 3" CLAMP [2 PCS]
4. 2.25" CLAMP
5. O2 EXTENSION [2 PCS]

FOR RACE/COMPETITION USE ONLY!

Installation of this product for highway or recreational is prohibited by Federal law. This product's use is restricted to organized, amateur and professional racing events, limited to closed-course racing and open-course racing that is formally sanctioned by a recognized racing organization.

This system requires an aftermarket electronic programmer to work with the vehicle.

PLEASE READ BEFORE STARTING INSTALLATION

While MBRP Inc. has made every effort to ensure that all components of this system are of superior quality and properly packaged it is the installer's responsibility to ensure the following before removal of the factory exhaust:

- that ALL components shown above are present.
- that ALL mating components fit together.
- that there are no damaged components.
- that the system you have purchased is appropriate for your vehicle year, model and configuration.
- that the system will not interfere with any modifications previously installed or planned.
- that you have read and understand these instructions.

If you have any questions or are uncertain about any aspect of the installation of this system to your vehicle please contact your dealer before commencing installation.

2011-14 Mustang GT5.0 OffRoad H-Pipe

Note; This Kit requires the installation of

MBRP S7230 Header Kit



Figure 1



Figure 2



Figure 3



Figure 4



Figure 5

Removal of Stock H-Pipe

1. Apply a penetrating lubricant liberally to all exhaust fasteners, hangers and rubber insulators.
2. Loosen both OEM clamps located at each muffler inlet, and both OEM band clamps at the H Pipe outlet. Lift the lock tab to slide the band clamp rearward. Do not discard these clamps.
Refer to Figures 1 and 2.

3. Remove the OEM over axle pipes by lowering the inlet ends and pulling them out towards the front of the car.

4. Remove both M10 bolts that secure the Panhard Bar Brace to the Driver Side Frame rail. Pull the brace downward to allow more room to remove the OEM mufflers. Slide the rubber isolator off the rearmost muffler hangers, then slide the muffler assemblies forward to remove them from the car.

Refer to Figure 3.

2. Install your S7230 Header Kit as per the instructions included in the kit.

Installation of MBRP Inc. Performance Exhaust:

1. Assemble the **Driver side H Pipe** and the **Passenger side H Pipe** on the floor. Be sure the expanded portion of the 2.25" Crossover Pipe is on the driver side of the car and that the appropriate clamps have been loosely installed.

Refer to Figure 4.

2. Install a **3" Clamp** over the outlet of each MBRP Header.

Refer to Figure 5.

3. Install the H pipe assembly onto the car by sliding the H pipe onto the header collectors.

Refer to Figure 6.

4. Remove the rear O2 sensors from the OEM Cats and reinstall them in the MBRP H pipe.

Refer to Figure 7.



Figure 6



Figure 7



Figure 8

5. Connect the O2 sensors to the factory wiring harness with the supplied **O2 Sensor Extensions**.

Refer to Figure 8.

6. Install your MBRP Cat Back Exhaust Kit as show in the Instruction Sheet supplied in the kit, or reinstall your OEM Exhaust.

7. Adjust the system to provide clearance between all other under body components and hoses. Tighten all clamps once properly adjusted.



Congratulations! You are ready to begin experiencing the improved power, sound and driving excitement of your MBRP Inc. performance exhaust system. We know you will enjoy your purchase.