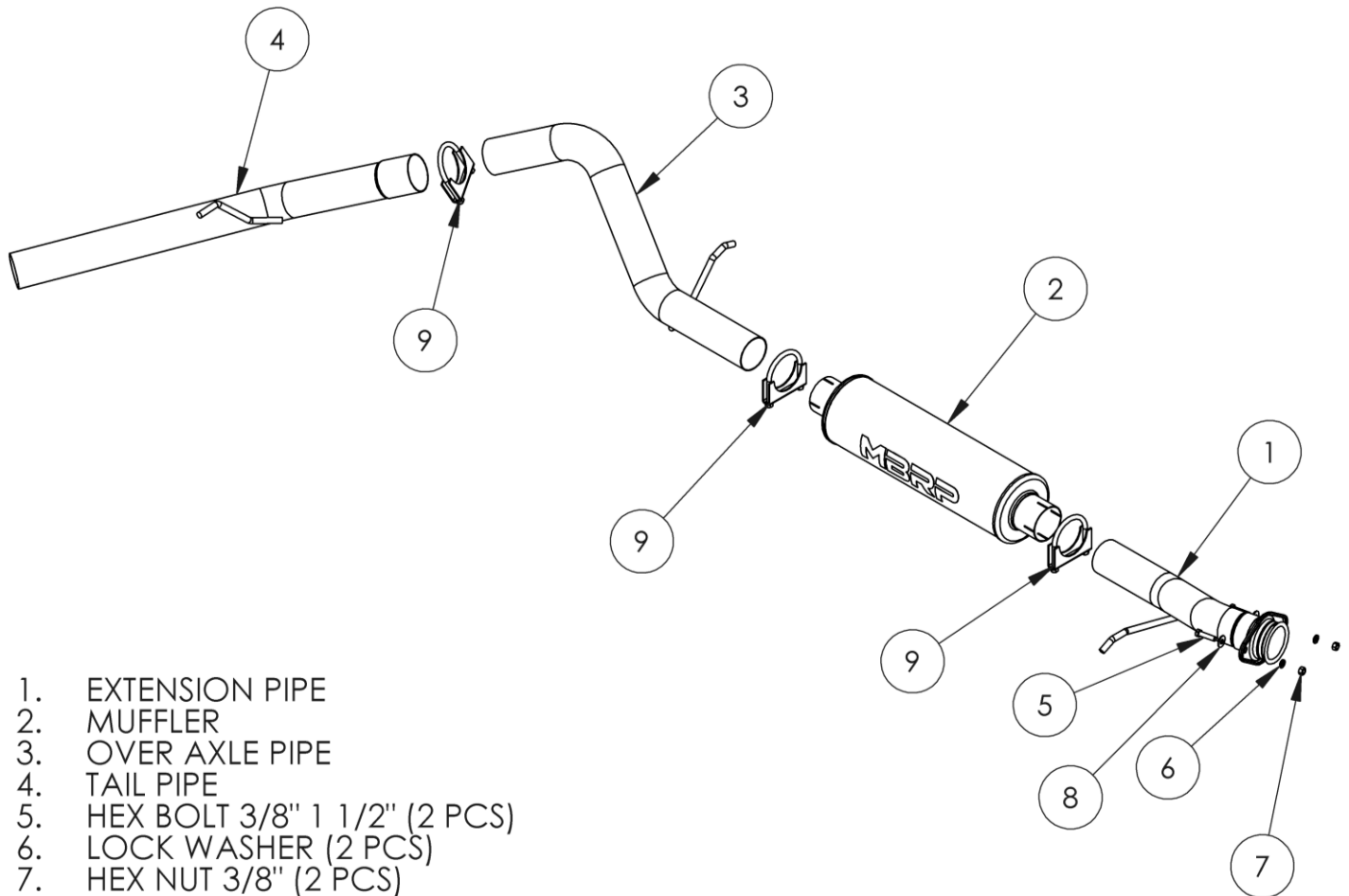


# S5026P

2000-2006, Chevy/GMC, TAHOE/YUKON,  
5.3L, Cat-Back, 3.0" Single Side

# MBRP®



1. EXTENSION PIPE
2. MUFFLER
3. OVER AXLE PIPE
4. TAIL PIPE
5. HEX BOLT 3/8" 1 1/2" (2 PCS)
6. LOCK WASHER (2 PCS)
7. HEX NUT 3/8" (2 PCS)
8. PLAIN WASHER 3/8" (2 PCS)
9. 3" SADDLE CLAMP (3 PCS)

## PLEASE READ BEFORE STARTING INSTALLATION

While MBRP has made every effort to ensure that all components of this system are of superior quality and properly packaged, it is the installer's responsibility to ensure the following before removal of the factory exhaust:

- that ALL components shown above are present.
- that ALL mating components fit together.
- that there are no damaged components.
- that the system you have purchased is appropriate for your vehicle year, model and configuration.
- that the system will not interfere with any modifications previously installed or planned.
- that you have read and understand these instructions.

If you have any questions or are uncertain about any aspect of the installation of this system to your vehicle please contact your dealer before commencing installation.



### **Removal of stock system:**

1. Apply a penetrating lubricant liberally to all exhaust fasteners, hangers and rubber insulators.
2. Remove the nuts from the studs holding the front flange together and disconnect exhaust system.
3. Remove the hangers from the rubber insulators and remove the exhaust from the vehicle. If a hoist or hydraulic lift is not being used the tail pipe may need to be cut to clear the rear axle.
4. The studs located in the exhaust flange must be removed. This can be accomplished using a hammer. The studs will be replaced by hardware supplied with the system.

### **Installation of MBRP Inc. Performance Exhaust:**

1. Loosely attach the **Extension Pipe** at the flange using the hardware provided and slide hanger into rubber the insulator located on the frame.
2. Install the **Muffler** onto the **Extension Pipe**.
3. Feed the **Over Axle Pipe** over the axle and loosely attach it to the **Muffler**. Install the **Over Axle** hanger into the factory rubber insulator located directly above the hanger.
4. Slide **Tail Pipe** onto the **Over Axle Pipe** and loosely attach. Install the **Tail Pipe** hanger into the factory rubber insulator located directly above the hanger.
5. Install provided **Clamps** to the pipe connections where required. Align the exhaust as required before tightening **Clamps**.
6. Tighten all hardware and clamps, starting at the front and working rearward to secure the system. Check along the full length of the exhaust system to ensure there is adequate clearance for fuel lines, vent lines, brake lines, frame, bodywork, suspension, and any wiring, etc. If there is any interference detected, relocate, or adjust to provide adequate clearance. Ensure all clamp connections are secure and components are unable to rotate or slide. Band clamps require approximately 45 lb-ft (60 N-m) of torque. Verify clearances, system security and band clamp torque after 30-60 miles (50-100 km) of driving.

**Congratulations!** You are ready to begin enjoying the improved performance and driving experience of your MBRP Inc. Performance Exhaust system. We hope you enjoy your purchase.