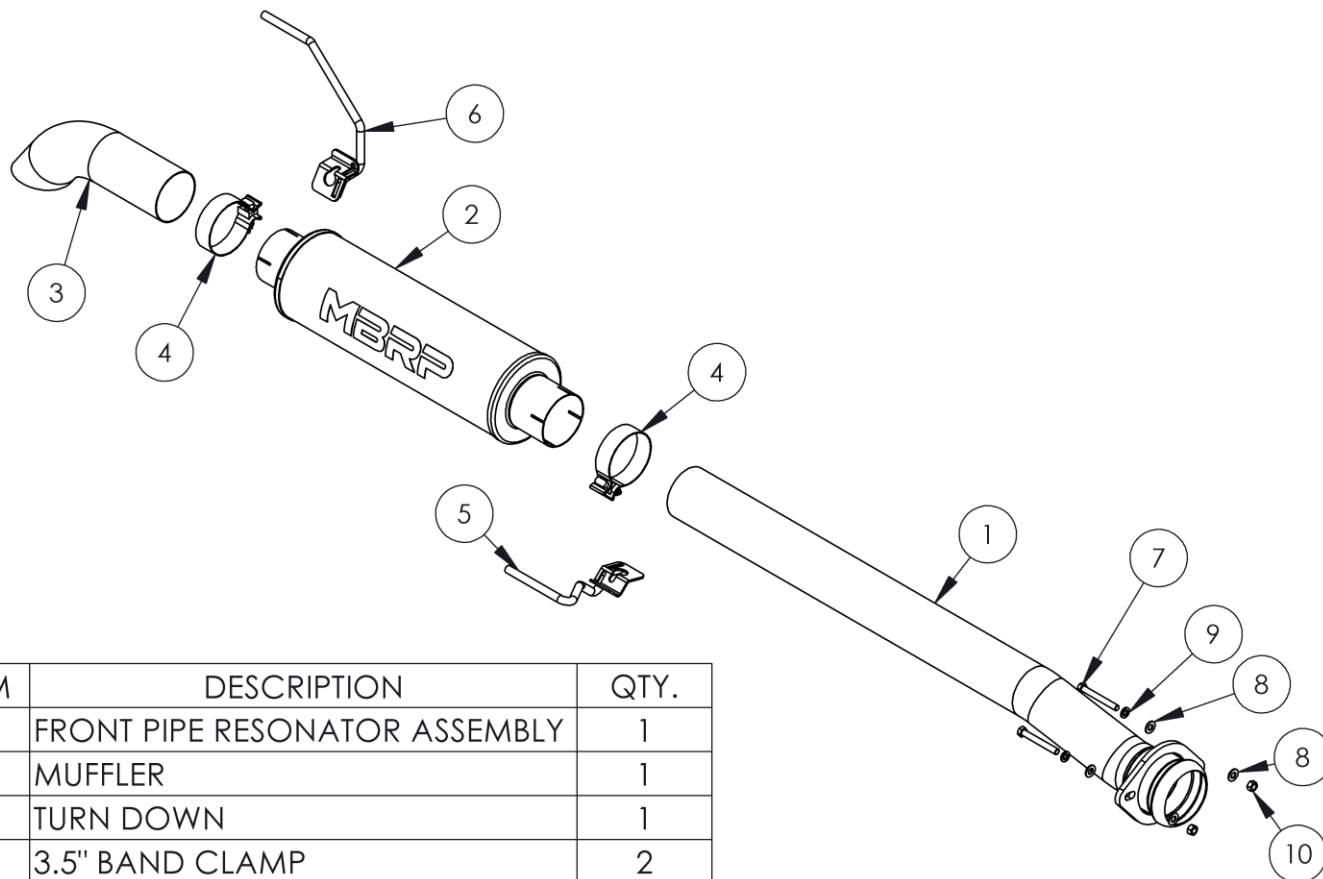


# S5242

2011-2014 FORD F150 RAPTOR,  
EXTENDED CAB / CREW CAB, 6.2L,  
CAT BACK, 3.5" TURN DOWN

# MBRP®



ITEM	DESCRIPTION	QTY.
1	FRONT PIPE RESONATOR ASSEMBLY	1
2	MUFFLER	1
3	TURN DOWN	1
4	3.5" BAND CLAMP	2
5	HANG TIGHT™ HANGER	1
6	HANG TIGHT™ HANGER	1
7	3/8" X 3" HEX BOLT	2
8	3/8" FLATWASHER	4
9	3/8" LOCK WASHER	2
10	3/8" HEX NUT	2

## PLEASE READ BEFORE STARTING INSTALLATION

**While MBRP has made every effort to ensure that all components of this system are of superior quality and properly packaged, it is the installer's responsibility to ensure the following before removal of the factory exhaust:**

- that ALL components shown above are present.
- that ALL mating components fit together.
- that there are no damaged components.
- that the system you have purchased is appropriate for your vehicle year, model and configuration.
- that the system will not interfere with any modifications previously installed or planned.
- that you have read and understand these instructions.

If you have any questions or are uncertain about any aspect of the installation of this system to your vehicle please contact your dealer before commencing installation.

# MBRP



**Figure 1**



**Figure 2**



**Figure 3**



**Figure 4**

## Removal of Stock System:

1. Apply a penetrating lubricant liberally to all exhaust fasteners, hangers and rubber insulators.
2. Loosen the flange located behind the “Y” pipe.  
**Refer to Figure 1.**
3. Loosen the clamp located in front of the muffler.  
**Refer to Figure 2.**
4. Remove the hangers from the rubber insulators and remove the exhaust from the vehicle. If a hoist or hydraulic lift is not being used the tail pipe may need to be cut to clear the rear axle.  
**Refer to Figure 3.**

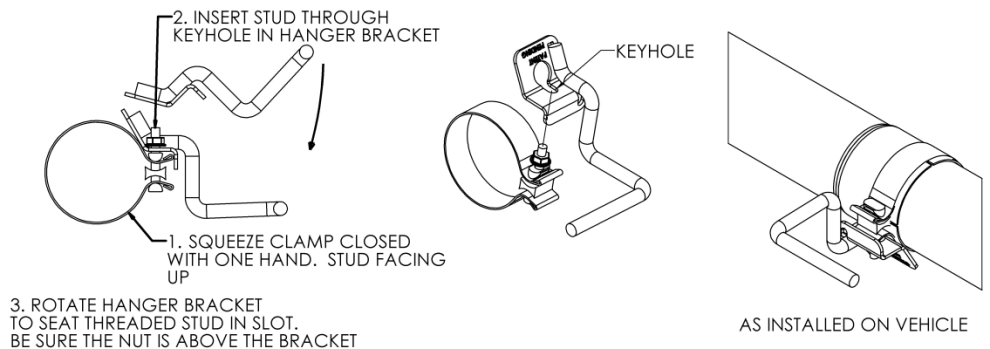
## Installation of MBRP Performance Exhaust:

1. Install the **Front Pipe** to the existing flange using the fasteners provided.  
**Refer to Figure 4.**

Note; the **Front Pipe** will require trimming on some models.

Model	Bed Length	Wheelbase	Front Pipe Cut
SuperCab	6.5'	133"	12"
SuperCrew	5.5'	145"	

2. Install the Hang Tight™ Hangers onto a 3.5” Band Clamps using the procedure shown below. (Hang Tight™ Hanger not exactly as shown)



# MBRP



**Figure 5**

3. Slide the front **Hang Tight™ Hanger** clamp assembly over the **Front Pipe Resonator Assembly** and install the **Muffler** onto the **Front Pipe Resonator Assembly**. Install the hanger into the existing rubber insulator. **Refer to Figure 5.**



**Figure 6**

4. Slide the **Turn Down** onto the **Muffler** using the remaining **Hang Tight™ Hanger** clamp assembly, then slide the hanger into the rubber isolator.

**Refer to Figure 6.**

5. Align the exhaust as required. Tighten all hardware and clamps, starting at the front and working rearward to secure the system. Check along the full length of the exhaust system to ensure there is adequate clearance for fuel lines, vent lines, brake lines, frame, bodywork, suspension, and any wiring, etc. If there is any interference detected, relocate or adjust to provide adequate clearance. Ensure all clamp connections are secure and components are unable to rotate or slide. Band clamps require approximately 45 lb-ft (60 N-m) of torque. Verify clearances, system security and band clamp torque after 30-60 miles (50-100 km) of driving.

**Congratulations!** You are ready to begin experiencing the improved power, sound and driving excitement of your **MBRP** performance exhaust system. We know you will enjoy your purchase.