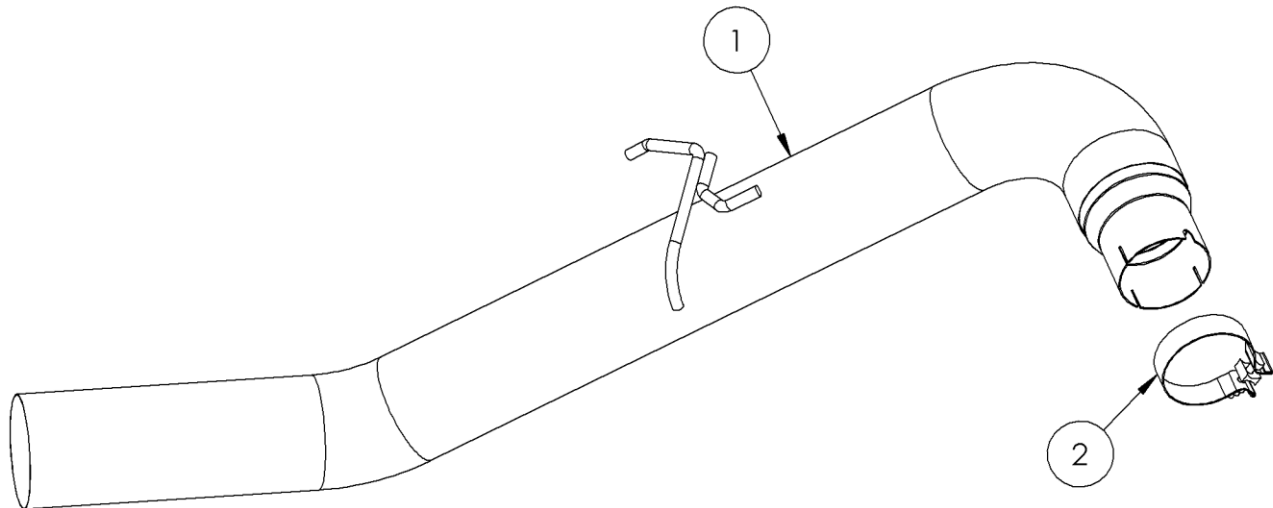


S6160

2013 DODGE CUMMINS 6.7L, 5" SINGLE
DPF BACK - ALL EXC. CC/SB

MBRP
INC.
PERFORMANCE EXHAUST



1. 5" TAIL PIPE
2. 4" CLAMP

NOTE: ALUMINIZED SYSTEMS USE SADDLE CLAMPS

PLEASE READ BEFORE STARTING INSTALLATION

While MBRP Inc. has made every effort to ensure that all components of this system are of superior quality and properly packaged, it is the installer's responsibility to ensure the following before removal of the factory exhaust:

- that ALL components shown above are present.
- that ALL mating components fit together.
- that there are no damaged components.
- that the system you have purchased is appropriate for your vehicle year, model and configuration.
- that the system will not interfere with any modifications previously installed or planned.
- that you have read and understand these instructions.

If you have any questions or are uncertain about any aspect of the installation of this system to your vehicle please contact your dealer before commencing installation.

2013 DODGE 6.7L Cummins, 2500/3500

Removal of Stock System:

1. Apply a penetrating lubricant liberally to all exhaust fasteners, hangers and rubber insulators.

2. Loosen the nut on the clamp located behind the particulate filter.
Refer to Figure 1.

3. Remove the tail pipe from the particulate filter then from the OEM rubber hanger. Remove the stock exhaust from the vehicle.
Refer to Figure 2.

Installation of MBRP Inc. Performance Exhaust:

1. Slide the **4" Clamp** onto the outlet end of the particulate filter. Install the **Tail Pipe** from the rear of the truck, over the axle and install into the factory rubber hanger.
Refer to Figure 3.

2. Install the **Tail Pipe** onto the particulate filter, taking care to align the tab on the filter to the slot in the **Tail Pipe**.
Refer to Figure 4.

3. Install the **Exhaust Tip**.

4. Align the exhaust as required. Starting at the front of the exhaust, tighten all clamps and connections.

5. Check along the whole length of the exhaust system to ensure that there is adequate clearance around the spare tire, fuel and brake lines or any wiring. If any interference is detected relocate or adjust.

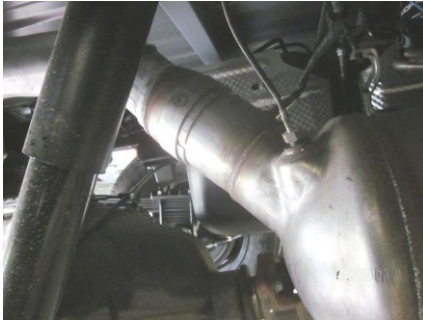


Figure 1



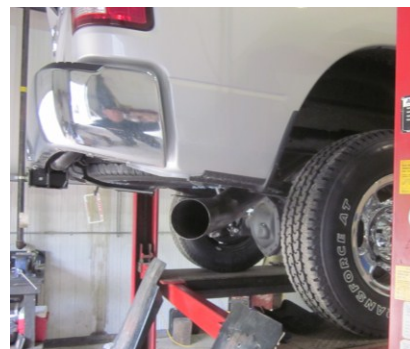
Figure 2



Figure 3



Figure 4



Congratulations! You are ready to begin experiencing the improved power, sound and driving experience of your **MBRP Inc.** performance exhaust system. We hope you enjoy your purchase.