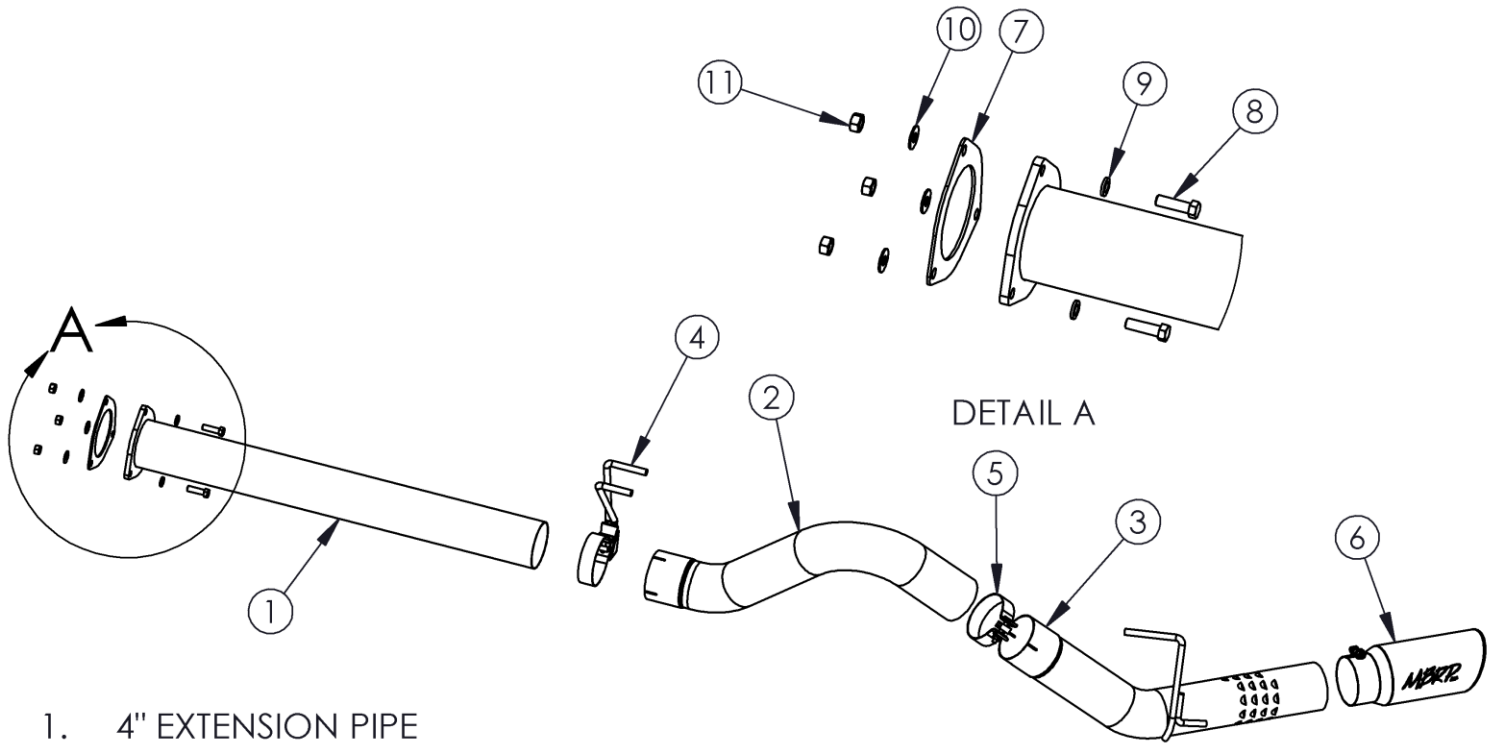


# S6248

11-14 FORD F250/350/450 6.7L  
POWERSTROKE, FILTER-BACK, CC/SC, 4"  
SINGLE SIDE

**MBRP**  
INC.  
PERFORMANCE EXHAUST



1. 4" EXTENSION PIPE
2. OVER-AXLE PIPE
3. TAIL PIPE
4. 4" HANGER CLAMP
5. 4" BAND CLAMP
6. EXHAUST TIP
7. GASKET
8. 7/16" HEX BOLT (3 PCS)
9. WASHER (3 PCS)
10. LOCK WASHER (3 PCS)
11. HEX NUT (3 PCS)

## PLEASE READ BEFORE STARTING INSTALLATION

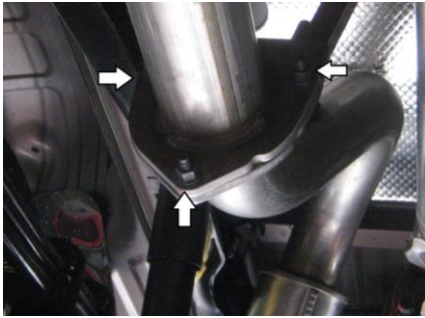
While MBRP Inc. has made every effort to ensure that all components of this system are of superior quality and properly packaged, it is the installer's responsibility to ensure the following before removal of the factory exhaust:

- that ALL components shown above are present.
- that ALL mating components fit together.
- that there are no damaged components.
- that the system you have purchased is appropriate for your vehicle year, model and configuration.
- that the system will not interfere with any modifications previously installed or planned.
- that you have read and understand these instructions.

If you have any questions or are uncertain about any aspect of the installation of this system to your vehicle please contact your dealer before commencing installation.

## Removal of Stock System

1. Apply some penetrating lubricant to all exhaust fasteners, hangers, and rubber insulators.
2. Loosen the three (3) nuts securing the extension pipe flange to the over-axle pipe.



**Figure 1**

**Refer to Figure 1.**

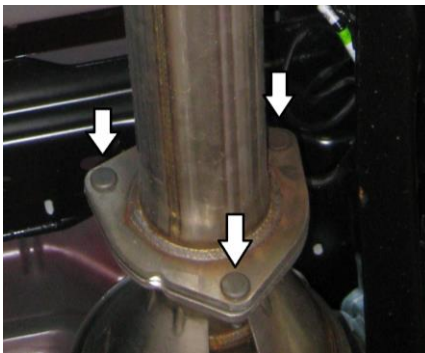
3. Remove the factory over-axle/tail pipe.
4. Loosen the three (3) nuts securing the extension pipe to the flange directly behind the exhaust filter and remove the extension pipe.

**Refer to Figure 2.**

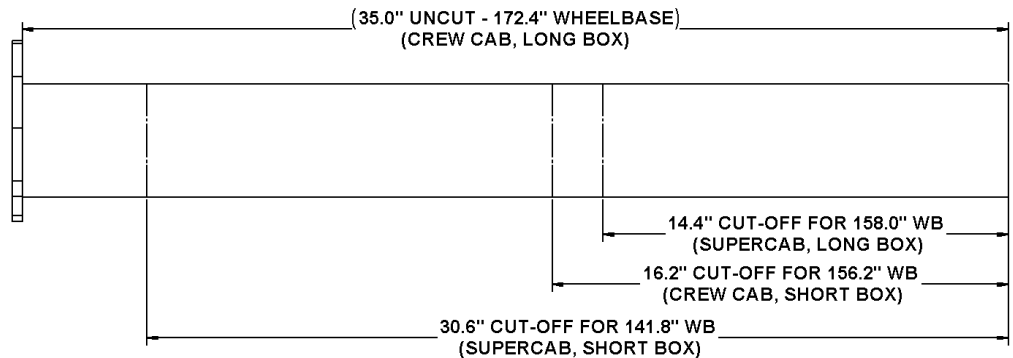
## Installation of MBRP Inc. Performance Exhaust

1. The **Extension Pipe** is pre-cut for the 172.4" (crew-cab long-box) wheelbase. Cut the **Extension Pipe** to the appropriate length for the installation vehicle.

**Refer to Figure 3.**



**Figure 2**



**Figure 3**

2. Mate the **Extension Pipe** flange to the stock exhaust flange with the **Gasket** between them and fasten the flanges together with the hardware provided.

**Refer to Figure 4.**



**Figure 4**

3. Fit the **Hanger Clamp** loosely over the end of the extension pipe and insert the hangers into the rubber isolators.

4. Install the **Over-Axle Pipe** onto the **Extension Pipe**.

5. Install the **Tail Pipe** onto the **Over-Axle Pipe**, inserting the hanger into the rearward factory rubber isolator, securing it with the **4" Band Clamp**.

**Refer to Figure 5.**

6. Install the **Exhaust Tip**.

7. Align the exhaust as required and tighten the **Hanger Clamp**.

8. Ensure that there is adequate clearance around the spare tire or any fuel and brake lines.

**Congratulations!** You are ready to begin experiencing the improved power, sound, and driving experience of your *MBRP Inc.* performance exhaust system. We know you will enjoy your purchase.



**Figure 5**