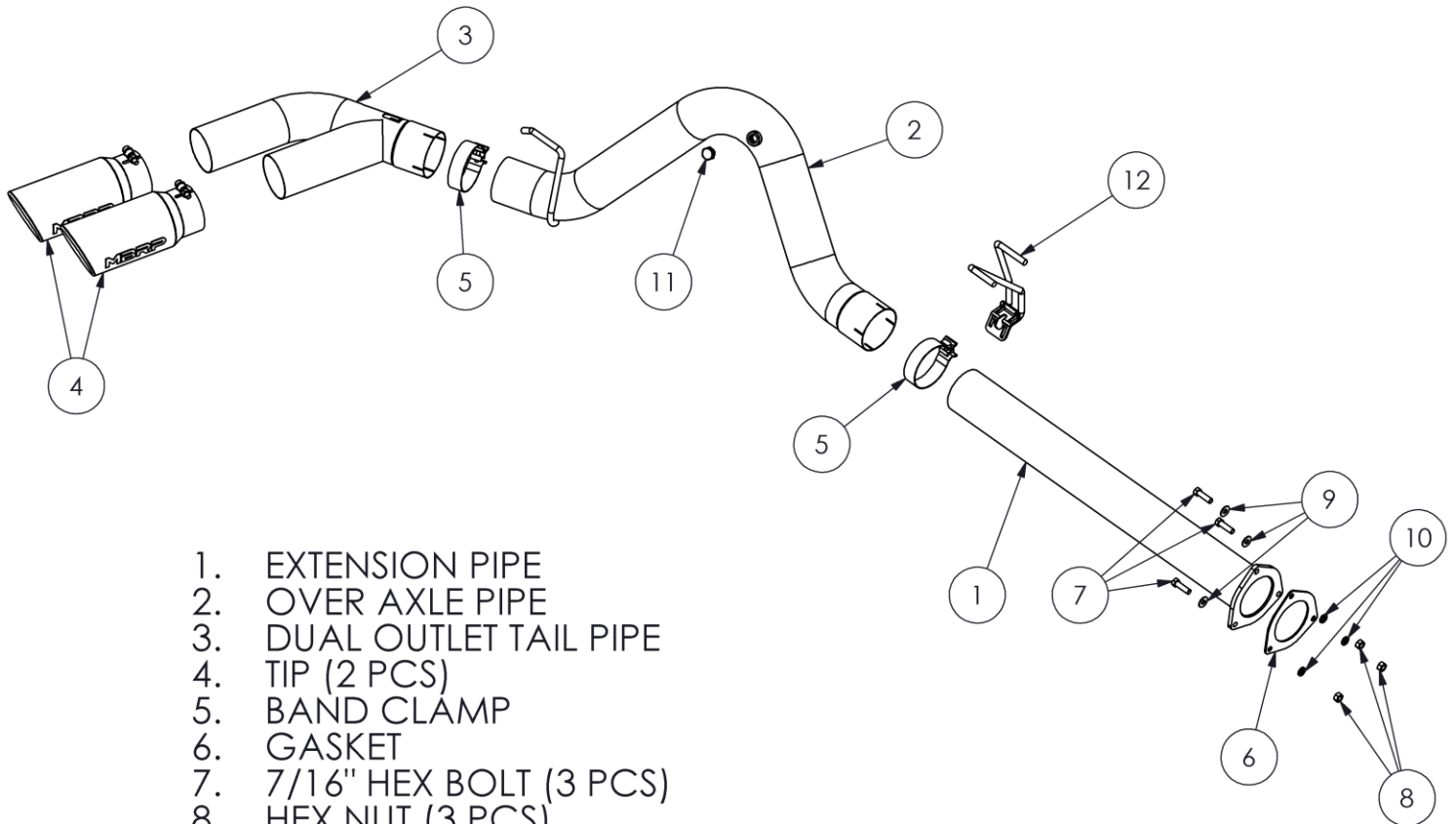


S6288

2011-16 FORD F-250/350/450 6.7L CREW
CAB/SUPERCREW DPF BACK SINGLE SIDE
DUAL OUTLET

MBRP®



1. EXTENSION PIPE
2. OVER AXLE PIPE
3. DUAL OUTLET TAIL PIPE
4. TIP (2 PCS)
5. BAND CLAMP
6. GASKET
7. 7/16" HEX BOLT (3 PCS)
8. HEX NUT (3 PCS)
9. WASHER (3 PCS)
10. LOCK WASHER (3 PCS)
11. HEX HEAD PLUG
12. HANG TIGHT™ HANGER

PLEASE READ BEFORE STARTING INSTALLATION

While MBRP has made every effort to ensure that all components of this system are of superior quality and properly packaged, it is the installer's responsibility to ensure the following before removal of the factory exhaust:

- that ALL components shown above are present.
- that ALL mating components fit together.
- that there are no damaged components.
- that the system you have purchased is appropriate for your vehicle year, model and configuration.
- that the system will not interfere with any modifications previously installed or planned.
- that you have read and understand these instructions.

If you have any questions or are uncertain about any aspect of the installation of this system to your vehicle please contact your dealer before commencing installation.

MBRP

Removal of Stock System:



Figure 1

1. Apply a penetrating lubricant liberally to all exhaust fasteners, hangers and rubber insulators.

2. Remove the EGT sensor from the tail pipe.
Refer to Figure 1.

3. Remove the three (3) nuts securing the extension pipe flange to the over-axle pipe. **Refer to Figure 2.**

4. Remove the factory over-axle/tail pipe.

5. Loosen the three (3) nuts securing the extension pipe to the flange directly behind the exhaust filter and remove the extension pipe.

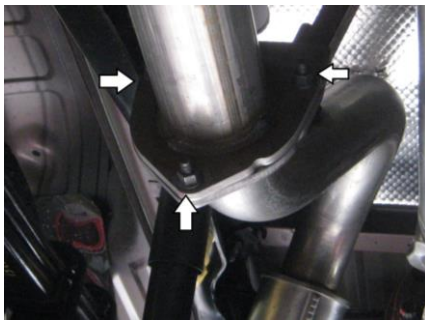


Figure 2

Installation of MBRP Performance Exhaust:

1. Feed the **Over Axle Pipe** up over the axle and install the hanger into the factory insulator
Refer to Figure 3.

2. Install the new **Gasket** onto the rear of the DPF.
Refer to Figure 4.

3. Cut the **Extension Pipe** to the appropriate length for the installation vehicle.
Refer to Figure 5.



Figure 3



Figure 4

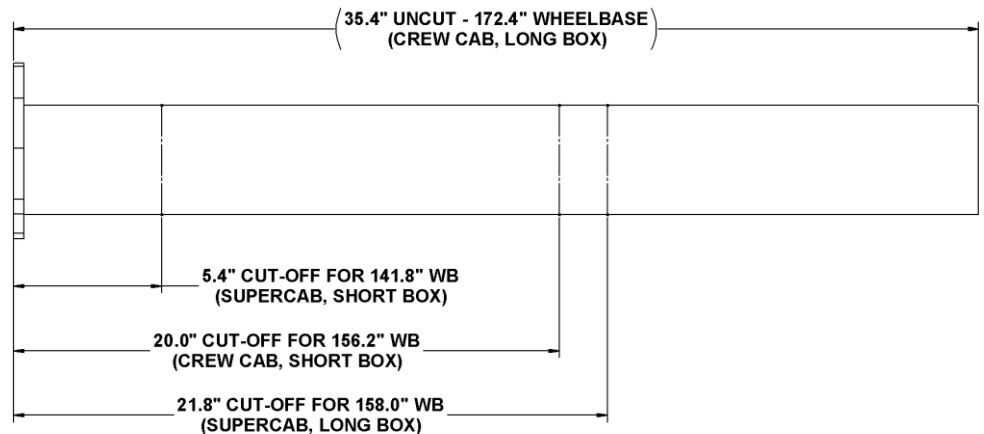


Figure 5

MBRP



Figure 6

4. Install the **Hang Tight™ Hanger** onto a **4.0" Band Clamp** using the procedure shown below. (Hang Tight™ Hanger not exactly as shown)

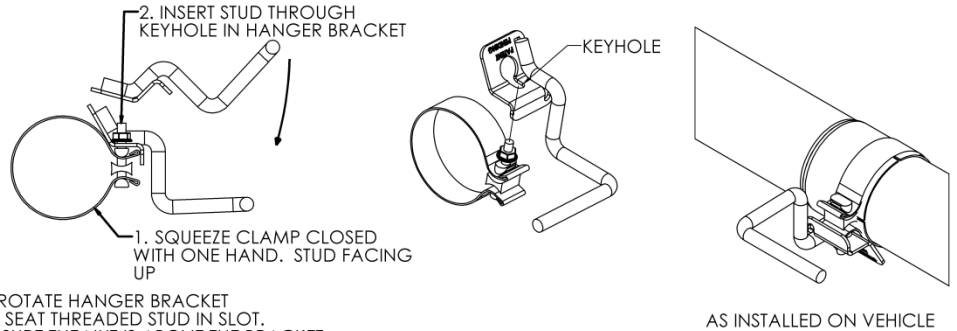


Figure 7

5. Place the previously assembled **Hang Tight™ Hanger** onto the end of the over axle pipe, leaving the clamp loose. Install the **Hang Tight™ Hanger** into the factory rubber isolators. **Refer to Figure 6**

6. Install the **Extension Pipe** into the **Over Axle Pipe**. **Refer to Figure 7.**



Figure 8

7. Install the **Extension Pipe** onto the DPF using the supplied, or factory hardware depending on the vehicle year. **Refer to Figure 8.**

8. Snug the **Hang Tight™ Hanger** band clamp but do not fully tighten until the exhaust system is aligned. **Refer to Figure 9.**



Figure 9

MBRP



Figure 10

8. Place the **Band Clamp** onto the **Over Axle Pipe** and install the **Dual Outlet Tail Pipe** onto the **Over Axle Pipe**. Snug, but do not fully tighten until all of the exhaust system is aligned.

Refer to Figure 10.

9. Align the exhaust as required. Starting at the front of the exhaust, tighten all clamps, hangers and connections.

10. Re-install the EGT sensor in the **Over Axle Pipe** or install the supplied **Hex Plug** if your vehicle does not utilize this sensor (2011-2014).



Figure 11

11. Install the **Exhaust Tips**. Single rear wheel owners may wish to trim the length of the tail pipes to suit. The Tail Pipes are purposely left long for dual rear wheel applications.

Refer to Figure 11.

12. Check along the whole length of the exhaust system to ensure that there is adequate clearance around the spare tire, fuel and brake lines or any wiring. If any interference is detected relocate or adjust.

13. It is recommended to tack weld each joint, including the **Exhaust Tips** to ensure vibrations do not allow any pieces to become detached.



Congratulations! You are ready to begin experiencing the improved power, sound and driving experience of your **MBRP** performance exhaust system. We know you will enjoy your purchase.